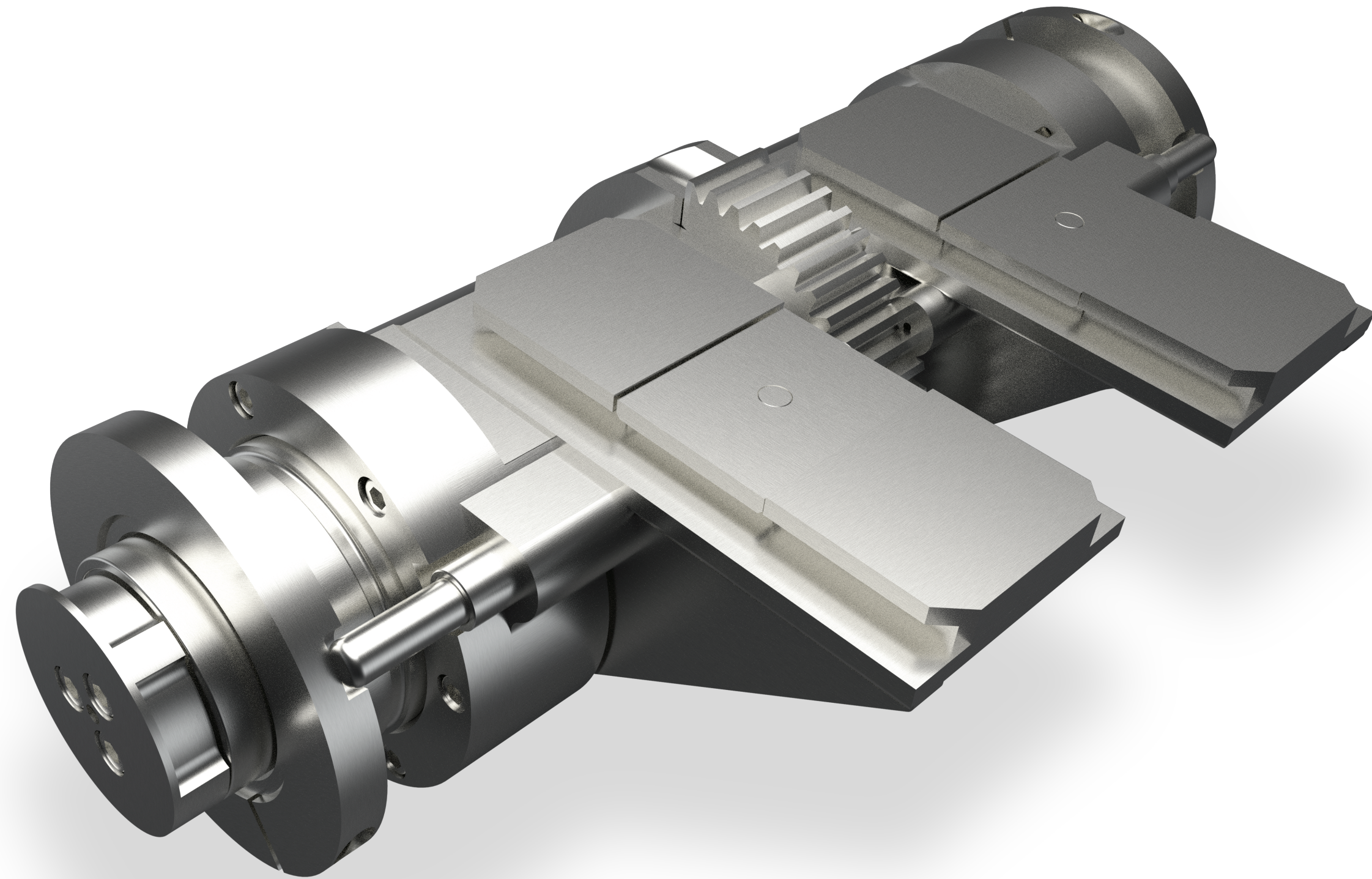


# Catalog

---

Basic  
Mechanisms

# 2024

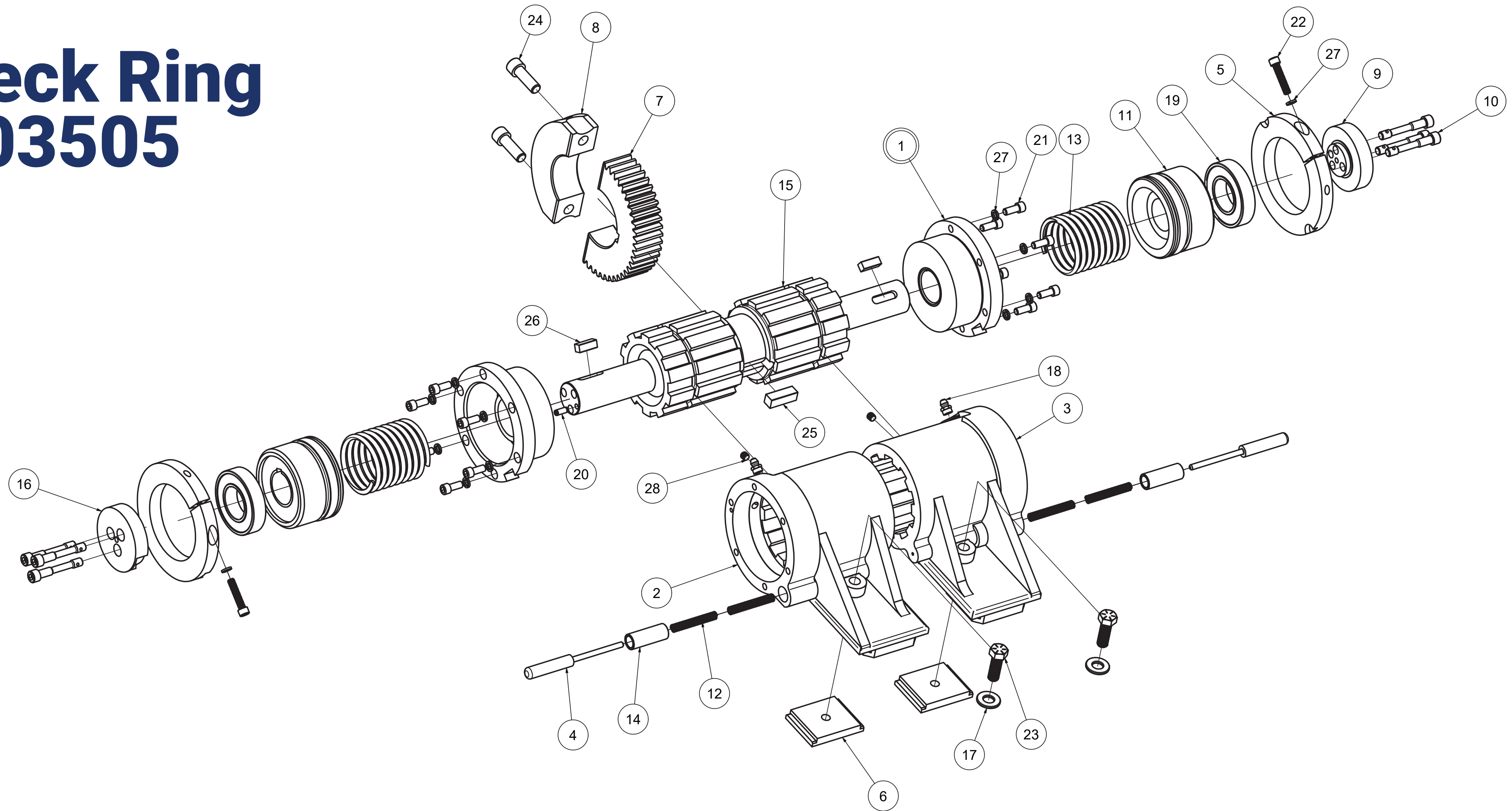


# Neck Ring

---

Machine Type	"E", "F" y "SF"
FAMA ID	303505
SAP ID	7000003554

# Neck Ring 303505



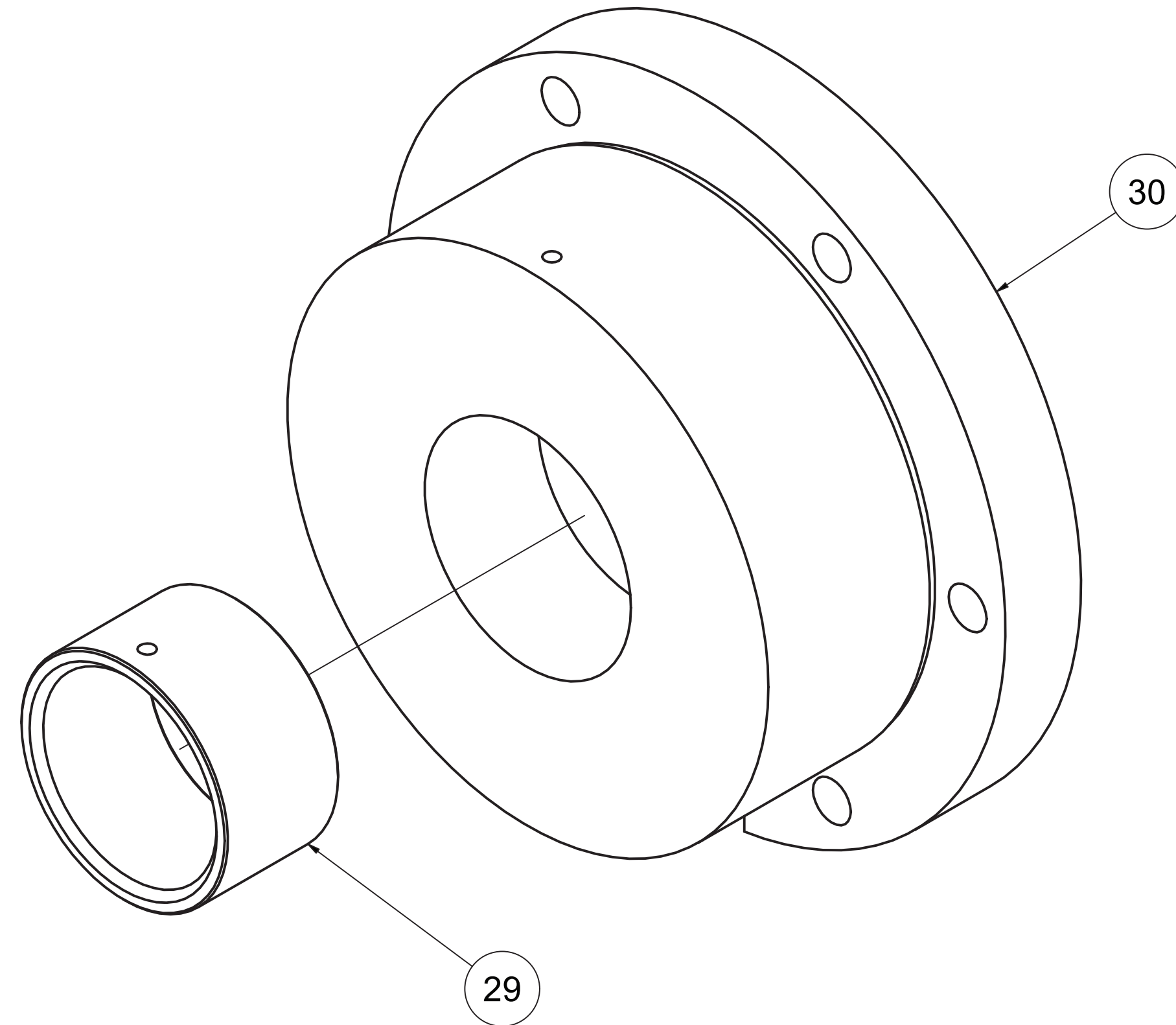
# Neck Ring - 303505

IND	FAMA ID	SAP ID	DESCRIPTION	QTY
1	303448	7000003600	CYLINDER CAP ASSEMBLY	2
2	303452	7000002289	L.H. CYLINDER	1
3	303454	7000002290	R.H. CYLINDER	1
4	303579	7000003004	PLUNGER	2
5	303585	7000003594	NUT	2
6	305693	7000018450	T-NUT	2
7	305699	7000010546	GEAR SECTOR	1
8	305700	7000026681	GEAR SHOE	1
9	305702	7000026679	AIR CAP (RIGHT HAND)	1
10	305704	7000003550	NYLON CAP SCREW	6
11	305709	7000026676	PISTON	2
12	308949	7000010015	SPRING	4
13	308952	7000020339	SPRING	2
14	308955	7000002408	BEARING	2
15	308957	7000026140	PISTON AND ROD	1

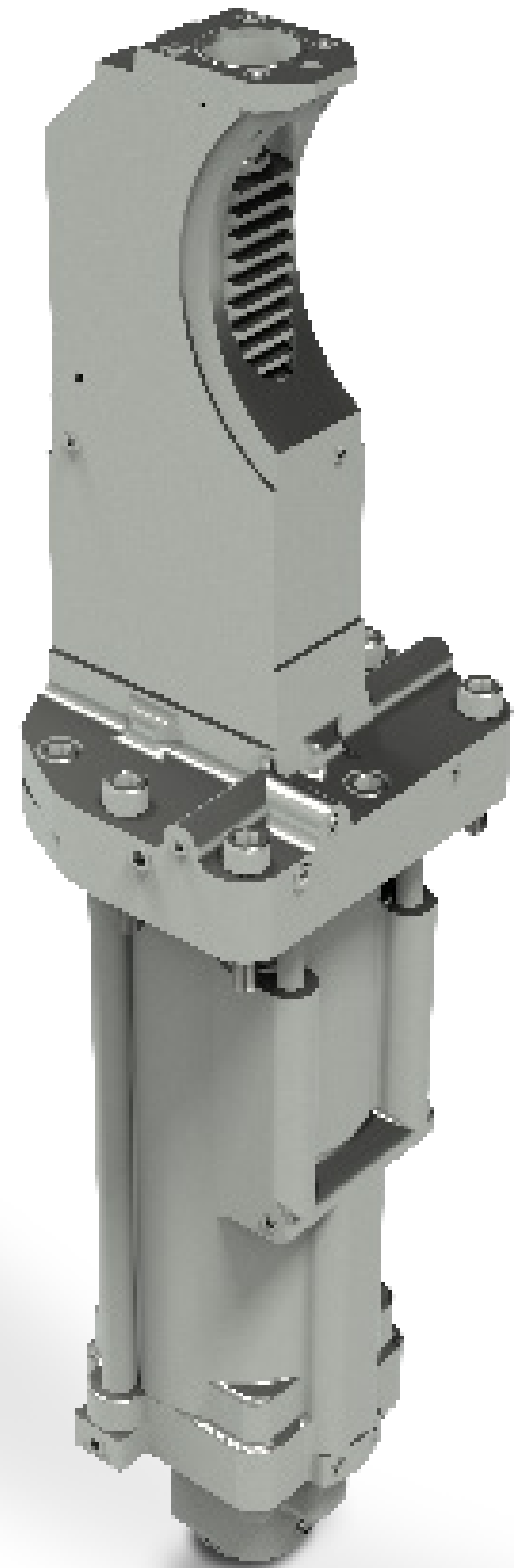
IND	FAMA ID	SAP ID	DESCRIPTION	QTY
16	308958	7000026139	AIR CAP (LEFT HAND)	1
17	4401053	7000022227	WASHER	2
18	-	9020004670	GREASE FITTING	4
19	-	9020021704	BALL BEARING	2
20	-	9020026717	ROLL PIN	1
21	-	9020026782	5/16-18 X 3/4 SOC. HD. CAP SCREW	12
22	-	9020026783	5/16-18 X 1 1/2 SOC. HD. CAP SCREW	2
23	-	9020054424	1/2-13 X 1 1/2 SOC. HEX. CAP SCREW	2
24	-	9020063647	1/2-13 X 1 1/2 SOC. HD. CAP SCREW	2
25	-	9020064691	KEY	1
26	-	9020064693	KEY	2
27	-	9020065703	WASHER	14
28	-	9020065931	PIPE PLUG	2

# Neck Ring

## Sub assembly - 303448



IND	FAMA ID	SAP ID	DESCRIPTION	QTY
29	305712	7000026673	CYLINDER HEAD BUSHING	2
30	303431	7000026887	CYLINDER CAP	2

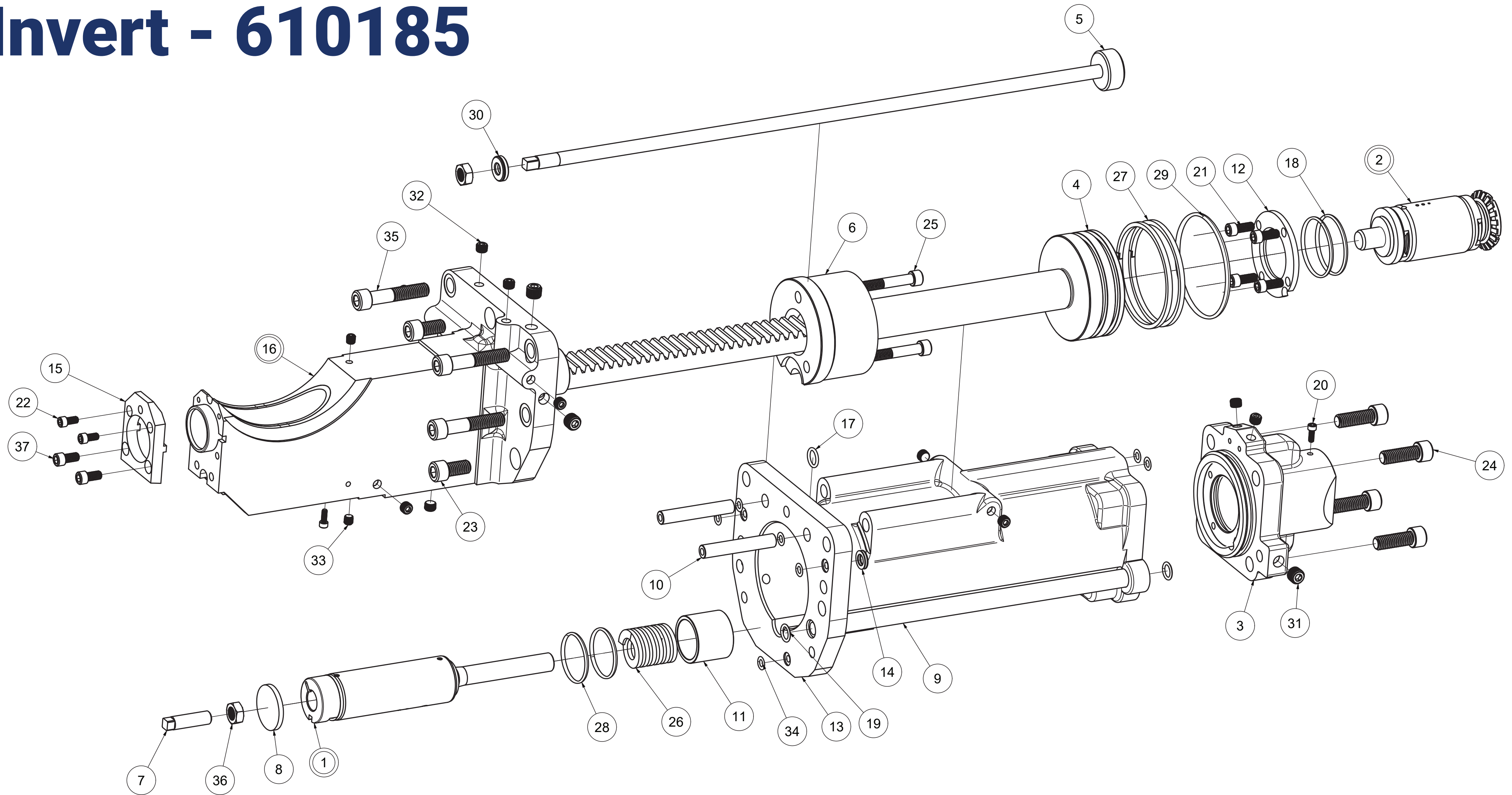


## Invert

---

Machine Type	"E", "F" y "SF"
FAMA ID	610185
SAP ID	7000002749

# Invert - 610185



# Invert - 610185

IND	FAMA ID	SAP ID	DESCRIPTION	QTY
1	218075	7000101639	CUSHION CYLINDER ASSEMBLY (INVERT)	1
2	218135	7000103098	LOWER CUSHION CYLINDER ASSEMBLY (REVERT)	1
3	303038	7000026934	CYLINDER HEAD LOWER	1
4	304265	7000003585	PISTON & ROD	1
5	304266	7000003582	ADJUSTING ROD	1
6	311636	7000023651	CYLINDER CAP	1
7	311641	7000003443	SCREW	1
8	311643	7000002446	PAD	1
9	311654	7000003444	TUBE AIR	1
10	311655	7000003445	TUBE OIL	2
11	312191	7000002434	BUSHING	1
12	312729	7000002428	RETAINER RING	1
13	314638	7000023275	CYLINDER	1
14	318024	7000063719	SEAL 7/16 I.D.	3
15	318229	7000003521	INTERLOCK PLATE-LONG	1

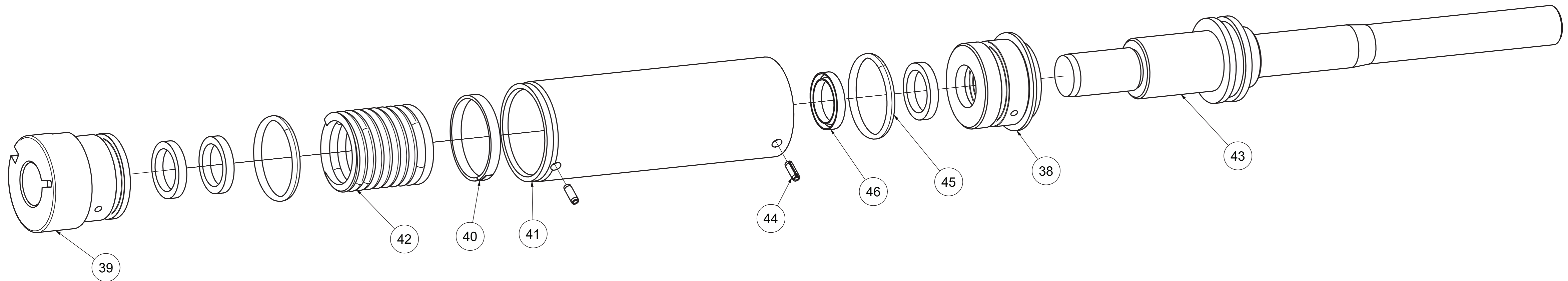
IND	FAMA ID	SAP ID	DESCRIPTION	QTY
16	610175	7000024793	CYLINDER HEAD BUSHING	1
17	-	902002605	O-RING I.D. 0.549"	1
18	-	9020026038	O-RING I.D 2.112"	2
19	-	9020026064	O-RING I.D 0.487"	2
20	-	9020026777	No.10-24 X 1/2 SOC. HD. CAP SCREW	2
21	-	9020026782	5/16-18 X 3/4 SOC. HD. CAP SCREW	4
22	-	9020026789	1/4-20 X 1/2 SOC. HD. CAP SCREW	2
23	-	9020026793	1/2-13 X 1 SOC. HD. CAP SCREW	3
24	-	9020063647	1/2-13 X 1-1/2 HD. CAP SCREW	4
25	-	9020063658	3/8-16 HS X 2-1/2 CAP SCREW	3
26	-	9020064534	COMPRESSION SPRING	1
27	-	9020064632	PISTON RING	2
28	-	9020065551	O-RING I.D. 1.737"	2
29	-	9020065582	O-RING I.D. 3.734"	1
30	-	9020065803	3/8 WASHER	1

IND	FAMA ID	SAP ID	DESCRIPTION	QTY
31	-	9020065929	1/4 SOC. PIPE PLUG	3
32	-	9020065930	1/8 SOC. PIPE PLUG	11
33	-	9020065931	1/16 SOC. PIPE PLUG	3
34	-	9020066671	O-RING I.D. 0.364"	9
35	-	9020091628	1/2-13 X 2-1/2 SOC. HD. SCREW	4
36	-	9020129591	1/2-20 HEX. JAM NUT	2
37	-	9020146404	5/16-18 X 5/8 SOC. HD. SCREW	2



# Invert

## Sub assembly - 218075



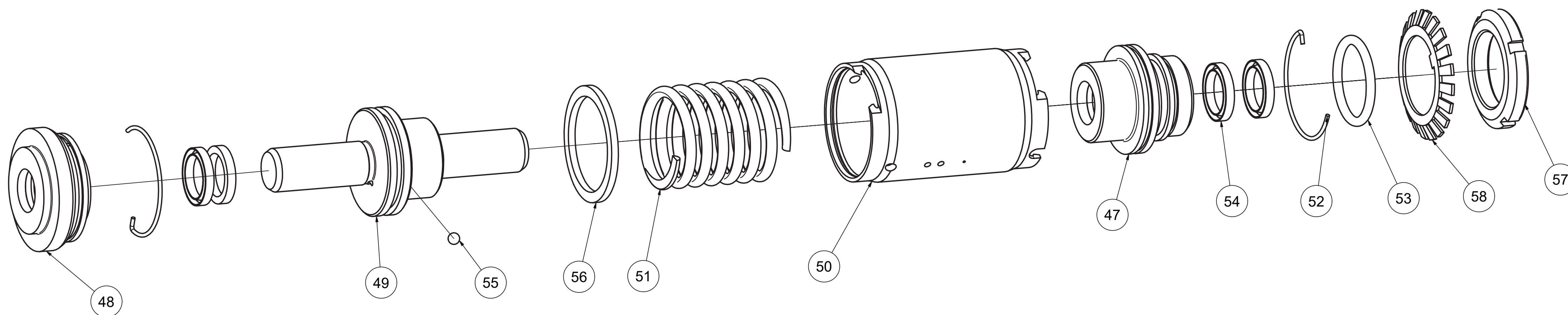
IND	FAMA ID	SAP ID	DESCRIPTION	QTY
38	217472	7000100540	END CAP LOWER	1
39	217473	7000100541	END CAP UPPER	1
40	310184	9020086555	PISTON RING	1

IND	FAMA ID	SAP ID	DESCRIPTION	QTY
41	311628	7000023654	TUBE-CYLINDER	1
42	312457	7000019883	SPRING	1
43	312727	7000098558	PISTON	1

IND	FAMA ID	SAP ID	DESCRIPTION	QTY
44	-	9020063767	ROLL PIN DIA. 1/8 X 3/8	2
45	-	9020065552	O-RING	2
46	-	9020090362	SEAL	4

# Invert

## Sub assembly - 218135



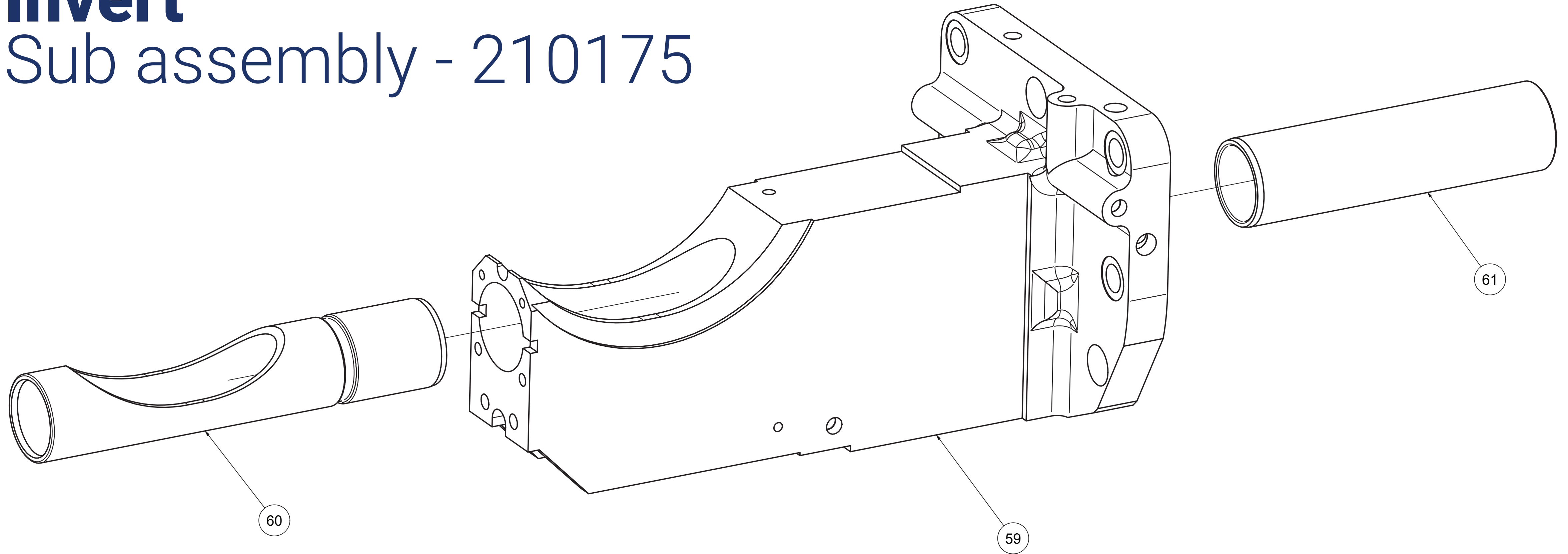
IND	FAMA ID	SAP ID	DESCRIPTION	QTY
47	217558	7000103104	END CAP LOWER	1
48	217557	7000103105	END CAP UPPER	1
49	217556	7000103106	PISTON	1
50	210903	7000027916	TUBE-CYLINDER	1

IND	FAMA ID	SAP ID	DESCRIPTION	QTY
51	308643	7000020372	SPRING	1
52	-	7000021053	RETAINING RING KEYSHEET	2
53	-	9020066673	O-RING I.D. 32MM	1
54	-	9020090362	SEAL	4

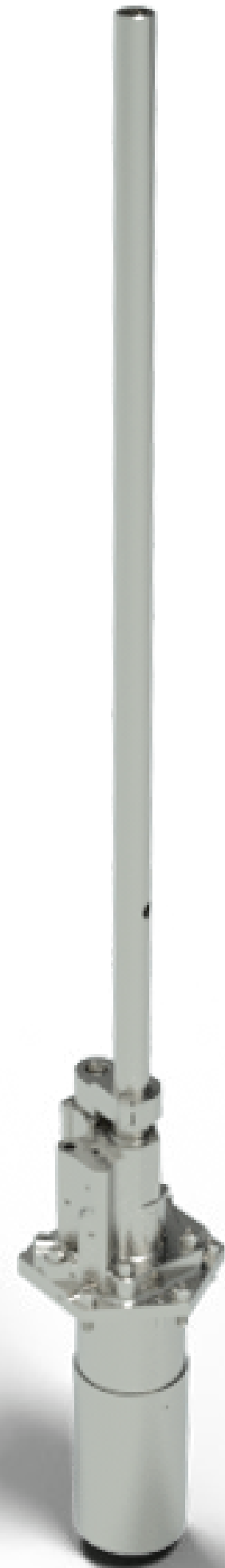
IND	FAMA ID	SAP ID	DESCRIPTION	QTY
55	-	9020066498	BALL 5 MM DIA.	1
56	-	9020064634	PISTON RING	1
57	-	9020042960	BEARING LOCKNUT	1
58	-	9020064535	BEARING LOCKWASHER	1

# Invert

## Sub assembly - 210175



IND	FAMA ID	SAP ID	DESCRIPTION	QTY
59	304263	-	CYLINDER HEAD	1
60	610162	-	UPPER BUSHING	1
61	312878	-	LOWER BUSHING	1

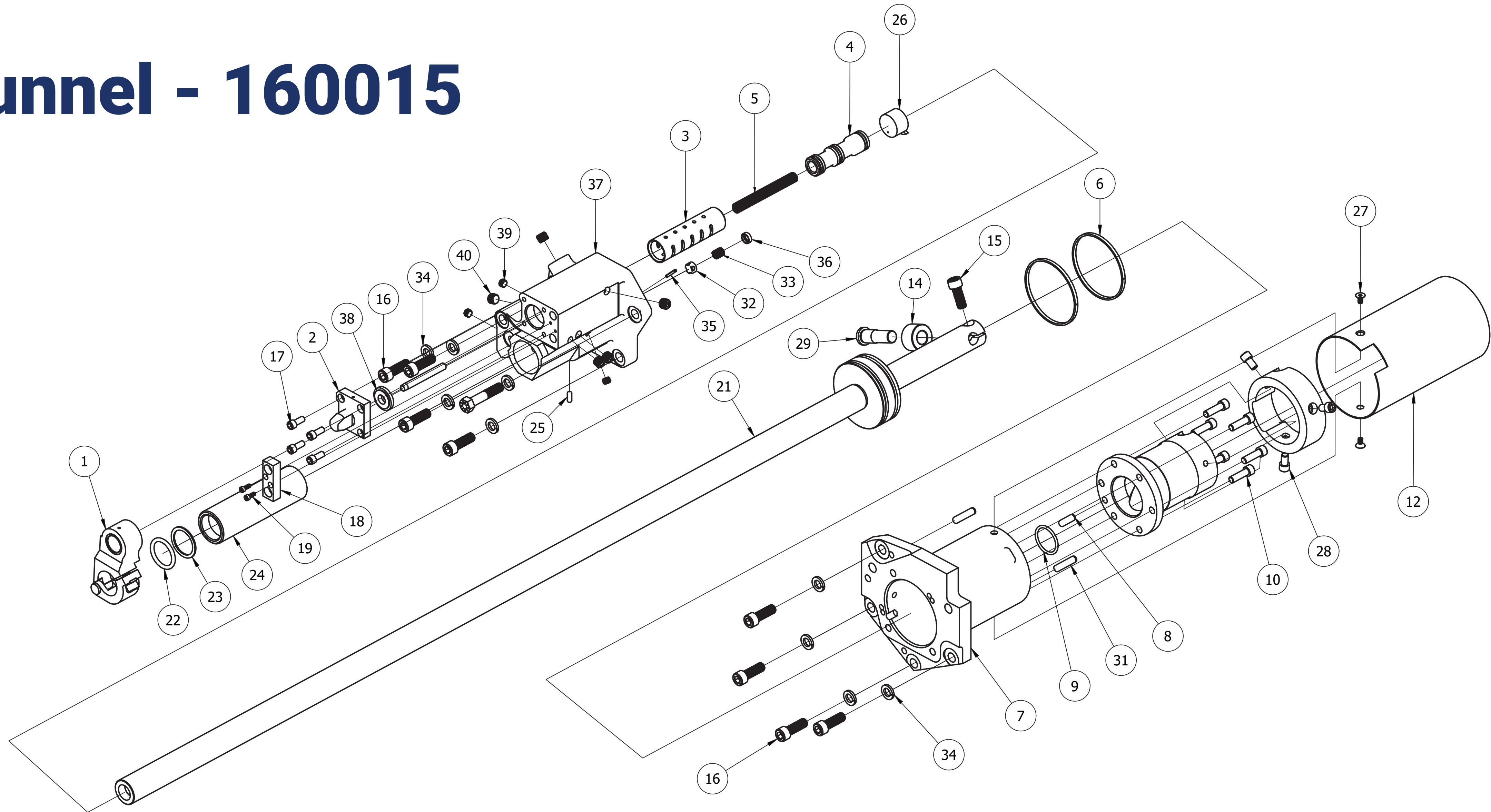


# Funnel

---

Machine Type	"E"
FAMA ID	160015
SAP ID	7000028568

# Funnel - 160015



# Funnel - 160015

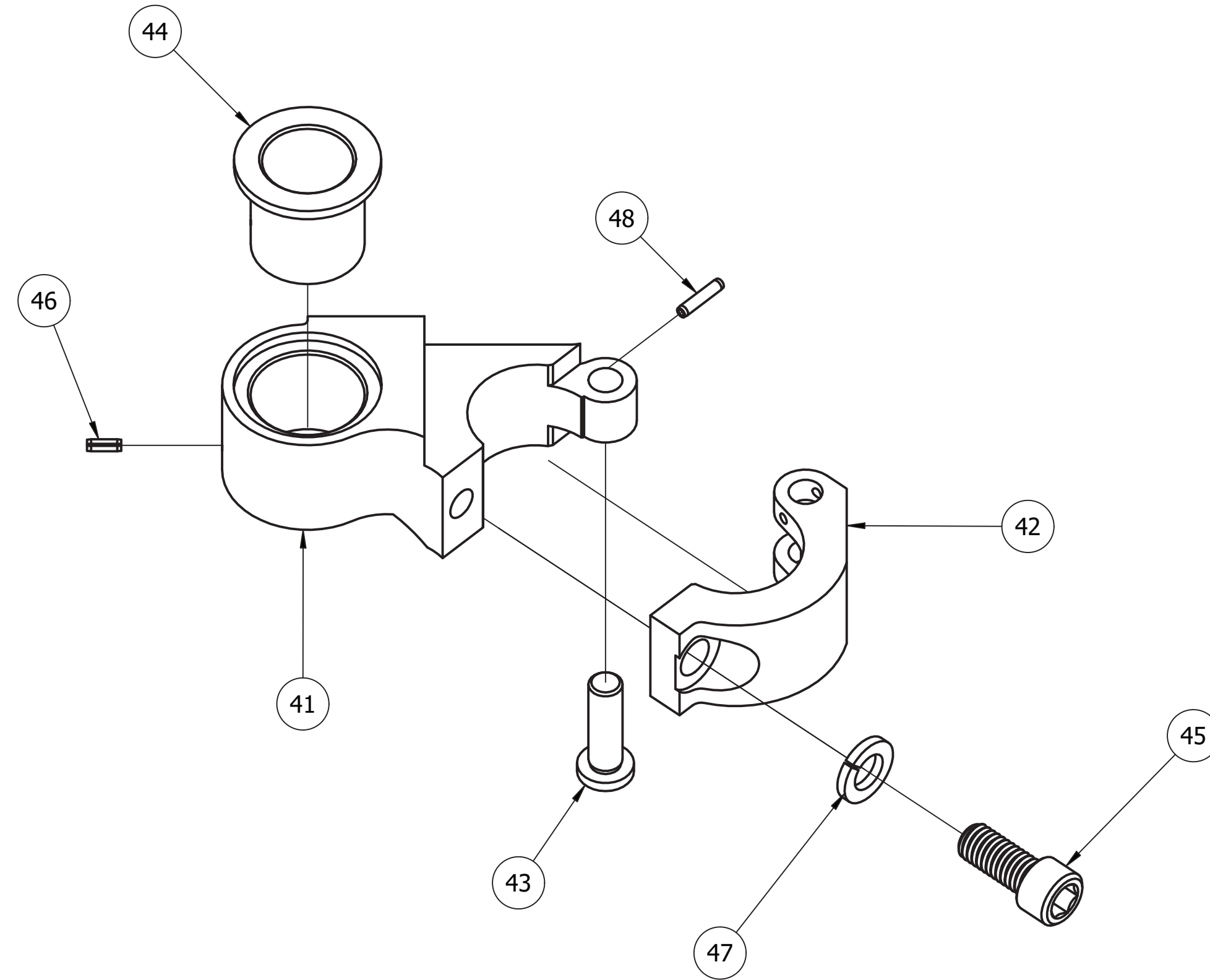
IND	FAMA ID	SAP ID	DESCRIPTION	QTY
1	160084	7000002476	GUIDE ARM	1
2	227953	7000020975	GUIDE COVER	1
3	91618	7000010474	BUSHING	1
4	227956	7000002225	VALVE SPRING	1
5	91613	7000022016	SPRING	1
6	-	9020064632	PISTON RING	2
7	160016	7000010662	CYLINDER & BUSHING	1
8	-	9020063764	DOWEL PIN	1
9	-	9020026057	O-RING	1
10	-	9020063664	SOC. SCREW	6
11	160017	7000002477	CAM	1
12	160018	7000021692	FUNNEL WELL	1
13	91607	7000010475	RING	1
14	91614	7000003265	CAM ROLLER	1
15	-	9020063648	SOC. SCREW	1

IND	FAMA ID	SAP ID	DESCRIPTION	QTY
16	-	9020063647	SOC. SCREW	8
17	-	9020026782	SOC. SCREW	4
18	160021	7000021691	BLOCK	1
19	-	9020026777	SOC. SCREW	2
20	-	9020064788	HEX. SCREW	1
21	160014	7000028570	PISTON & ROD	1
22	-	9020026055	O-RING	1
23	-	9020065583	O-RING	1
24	91631	7000024218	BUSHING	1
25	-	9020063765	PIN	1
26	160128	7000021678	PLUG	1
27	-	9020063564	SOC. SCREW HD FLAT	2
28	-	9020063666	SOC. SCREW	3
29	91611	7000002765	PIN	1
30	102643	7000022823	GUIDE TUBE	1

IND	FAMA ID	SAP ID	DESCRIPTION	QTY
31	-	9020063762	PIN	2
32	319390	7000019122	CHECK VALVE	1
33	1654	7000021604	SPRING	1
34	-	9020046517	WASHER	9
35	-	9020015584	ROLLPIN	1
36	101	7000002489	WASHER	1
37	302617	7000011764	CYLINDER HEAD	1
38	227948	7000002224	WASHER	1
39	-	9020065948	SOC. PIPE PLUG	3
40	-	9020065941	SOC. PIPE PLUG	7

# Funnel

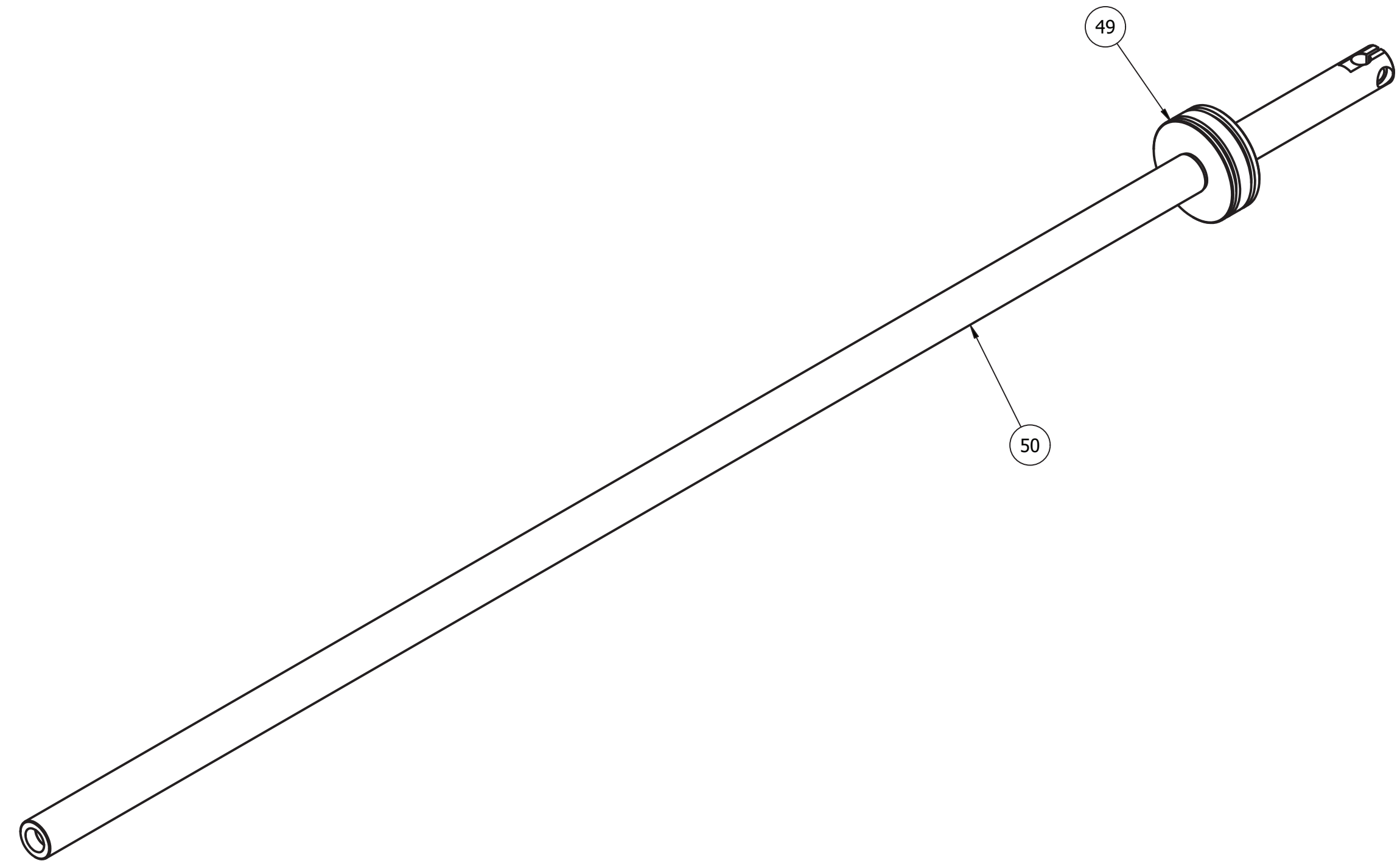
## Sub assembly - 160084



IND	FAMA ID	SAP ID	DESCRIPTION	QTY
41	160112	7000021679	ARM	1
42	160038	7000021690	SPTAPLE	1
43	160039	7000021689	PIN	1
44	160041	7000021688	BUSHING	1
45	-	9020026778	SOC. SCREW	1
46	-	902006367	ROLLPIN	1
47	-	9020107008	WASER	1
48	-	9020063829	ROLLPIN	1

# Funnel

## Sub assembly - 160014

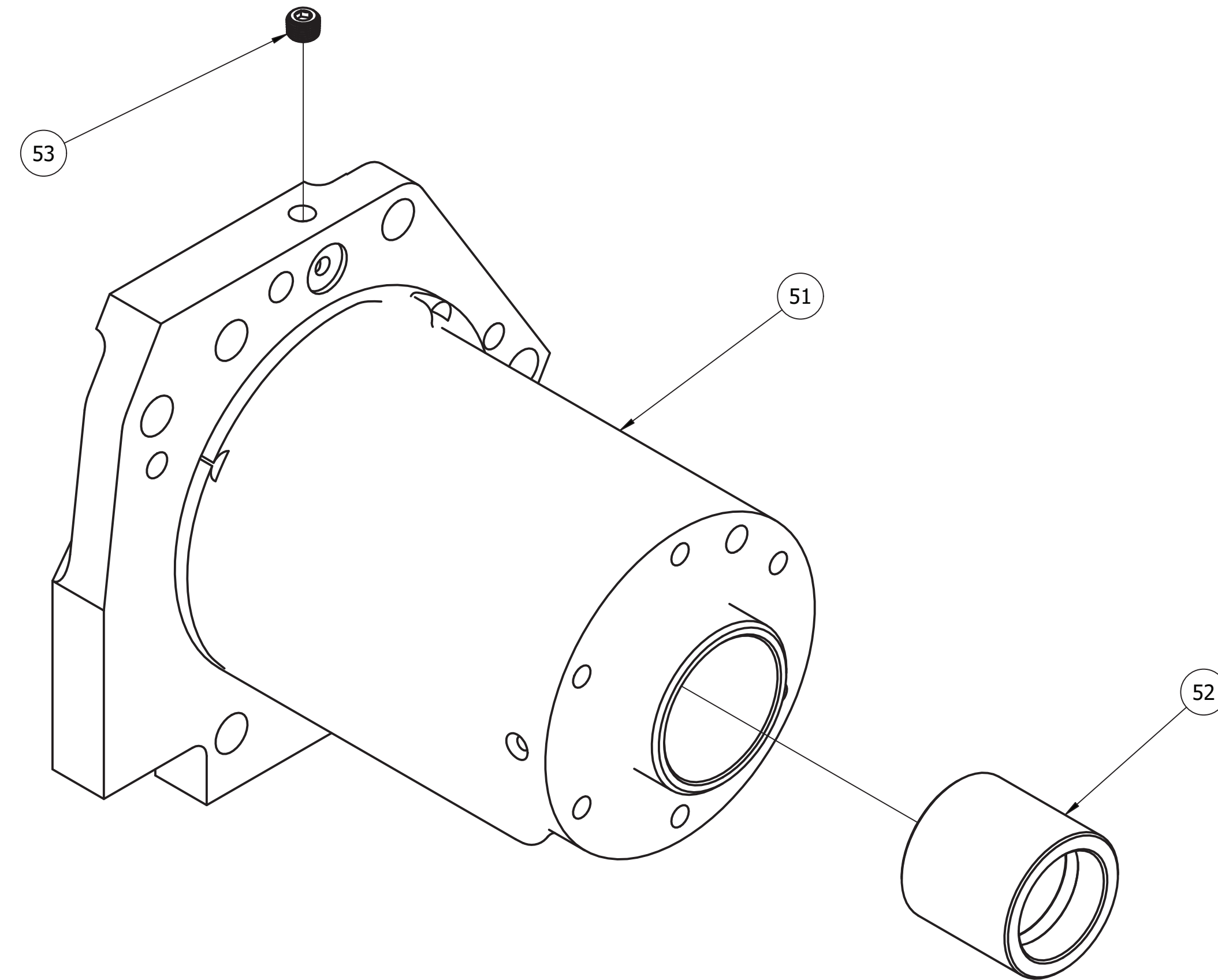


IND	FAMA ID	SAP ID	DESCRIPTION	QTY
49	160042	7000028560	PÍSTON	1
50	160043	7000028558	ROD	1



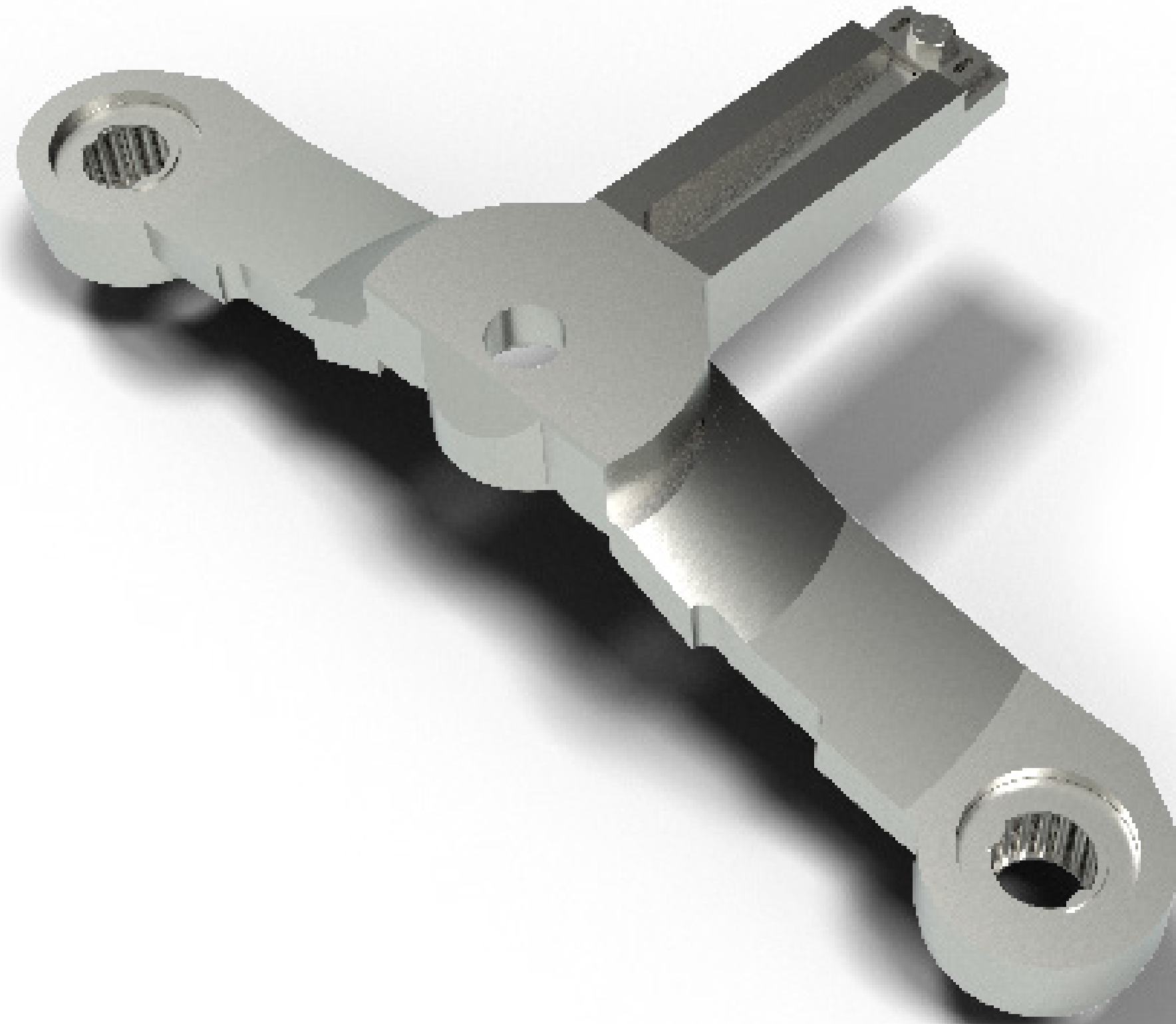
# Funnel

## Sub assembly - 160016



IND	FAMA ID	SAP ID	DESCRIPTION	QTY
51	160044	7000028557	CYLINDER	1
52	160045	7000021687	BUSHING	2
53	-	9020065948	SOC. PIPE PLUG	3

# Anti-deflection Bracket Blow Mold



Machine Type

"E"

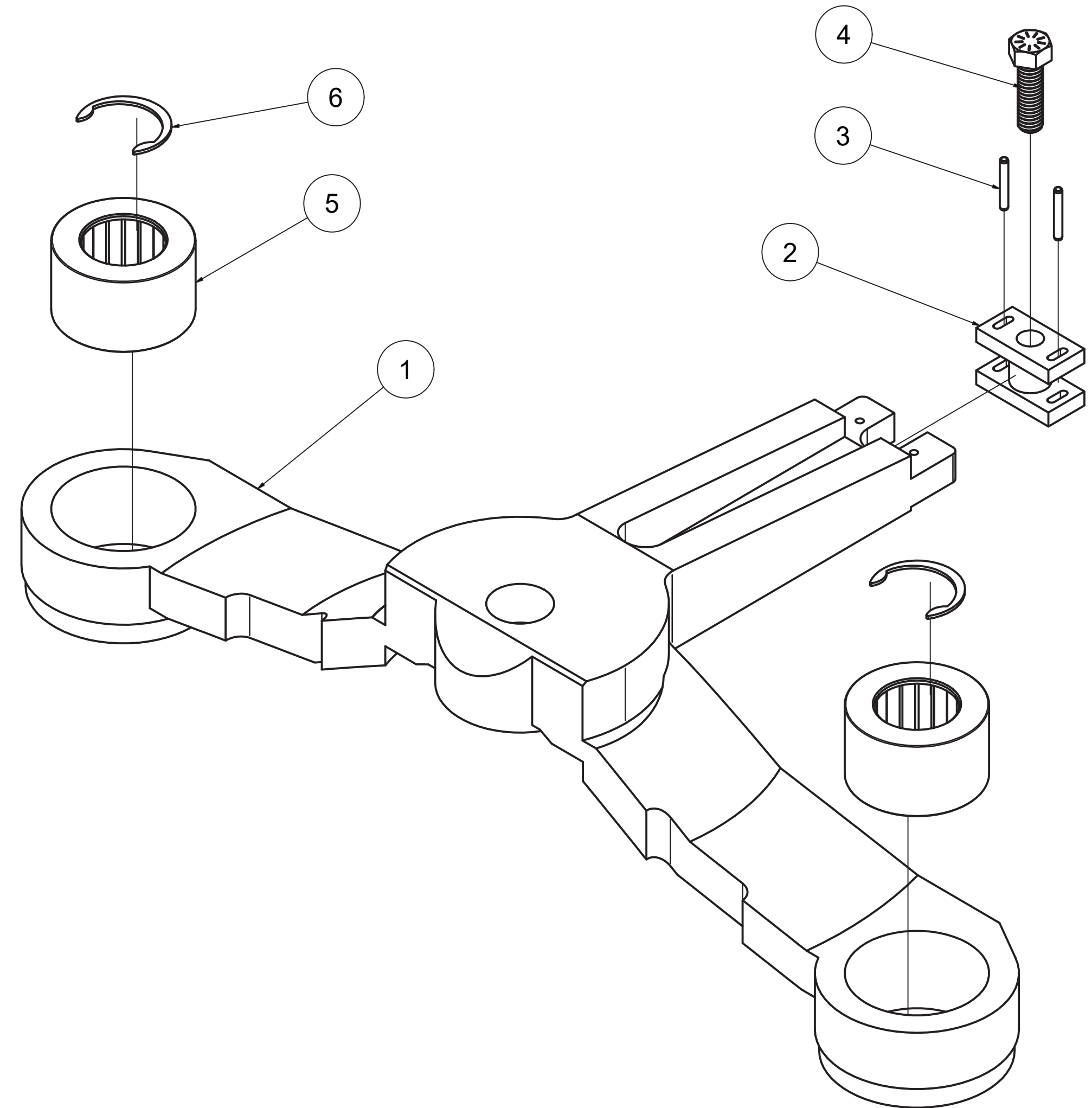
FAMA ID

308885

SAP ID

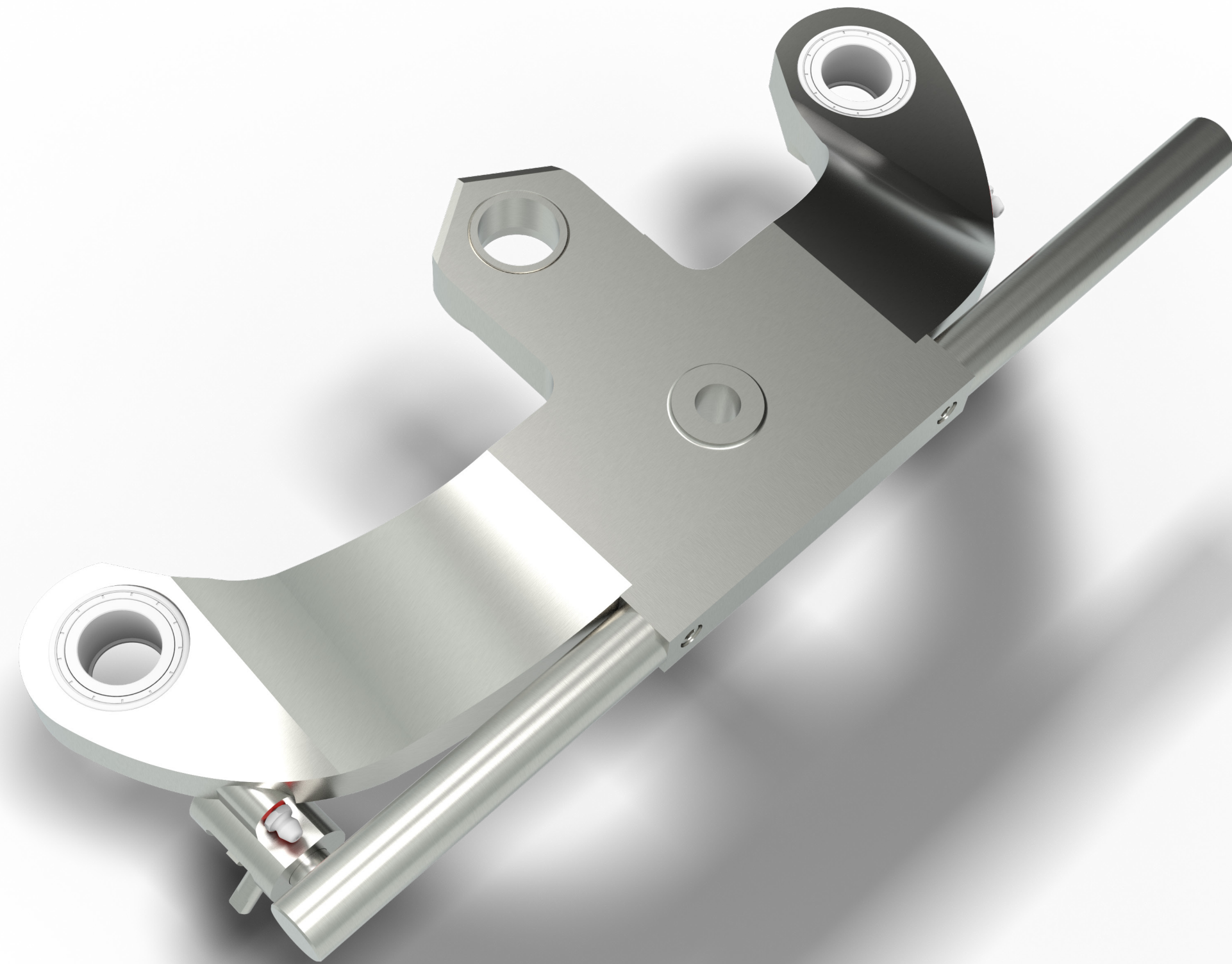
7000026149

# Anti-deflection Bracket Blow Mold 308885



IND	FAMA ID	SAP ID	DESCRIPTION	QTY
1	308883	7000026153	ANTI-DEFLECTION BRACKET	1
2	308884	7000011788	RETAINER BLOCK	1
3	-	9020063776	ROLL PIN	2
4	-	9020064982	HEX. HD SCR	1
5	-	9020066531	ROLLER BEARING	2
6	-	9020025993	RETAINER RING	2

# Anti-deflection Bracket Blank Mold



Machine Type

"E" y "F"

FAMA ID

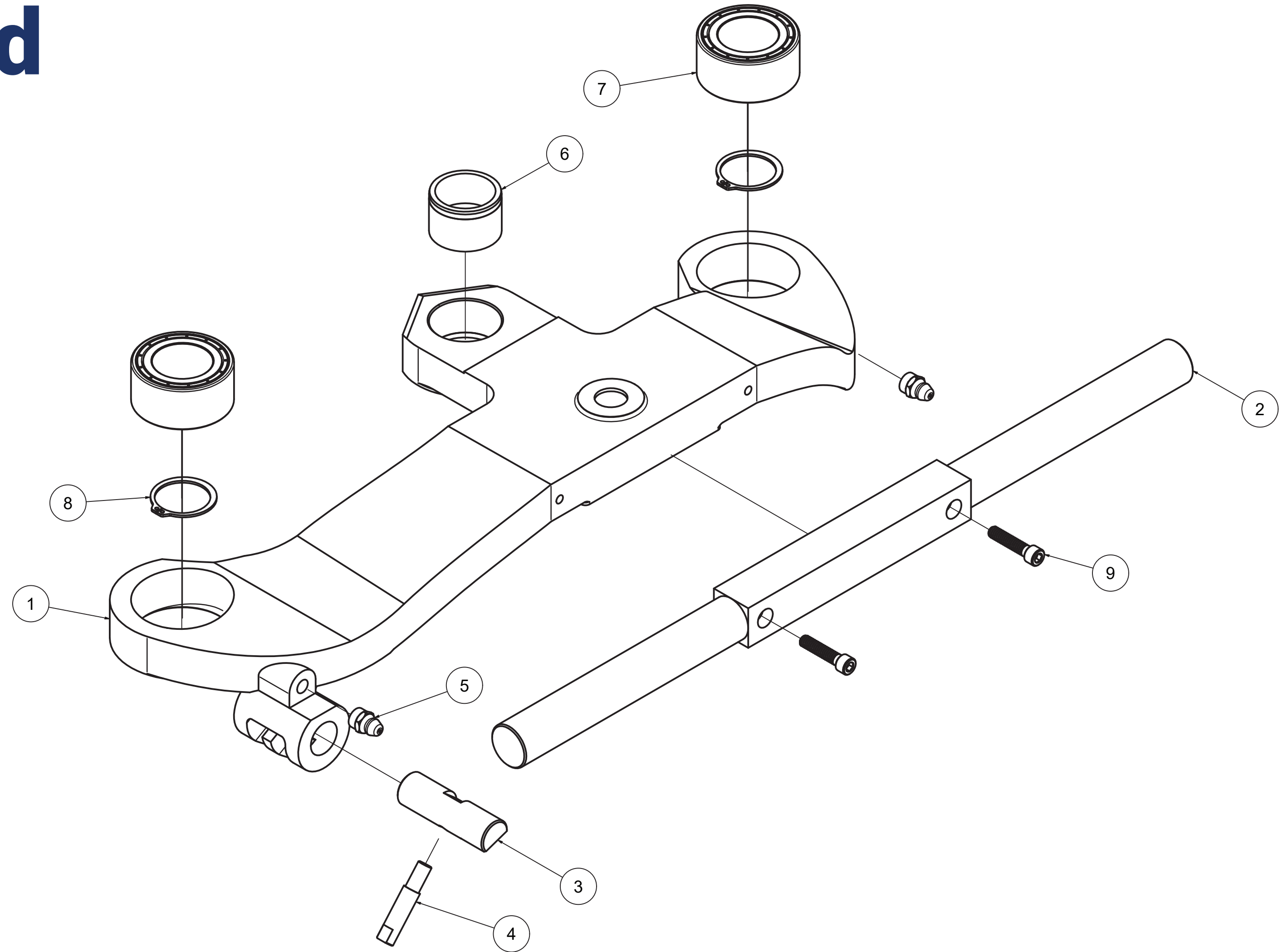
160216

SAP ID

7000003358

# Anti-deflection Bracket Blank Mold 160216

IND	FAMA ID	SAP ID	DESCRIPTION	QTY
1	160605	7000003359	ANTI-DEFLECTION BRACKET	1
2	188257	7000084637	HAND SUPPORT	1
3	310226	7000002437	LATCH HANDLE	1
4	311799	7000019926	LATCH	1
5	317659	7000019388	BUSHING	1
6	-	9020004670	GREASE FITTING	2
7	-	9020025993	RETAINER RING	2
8	-	9020066531	ROLLER BEARING	2
9	-	9020154727	SOC. SREW	2



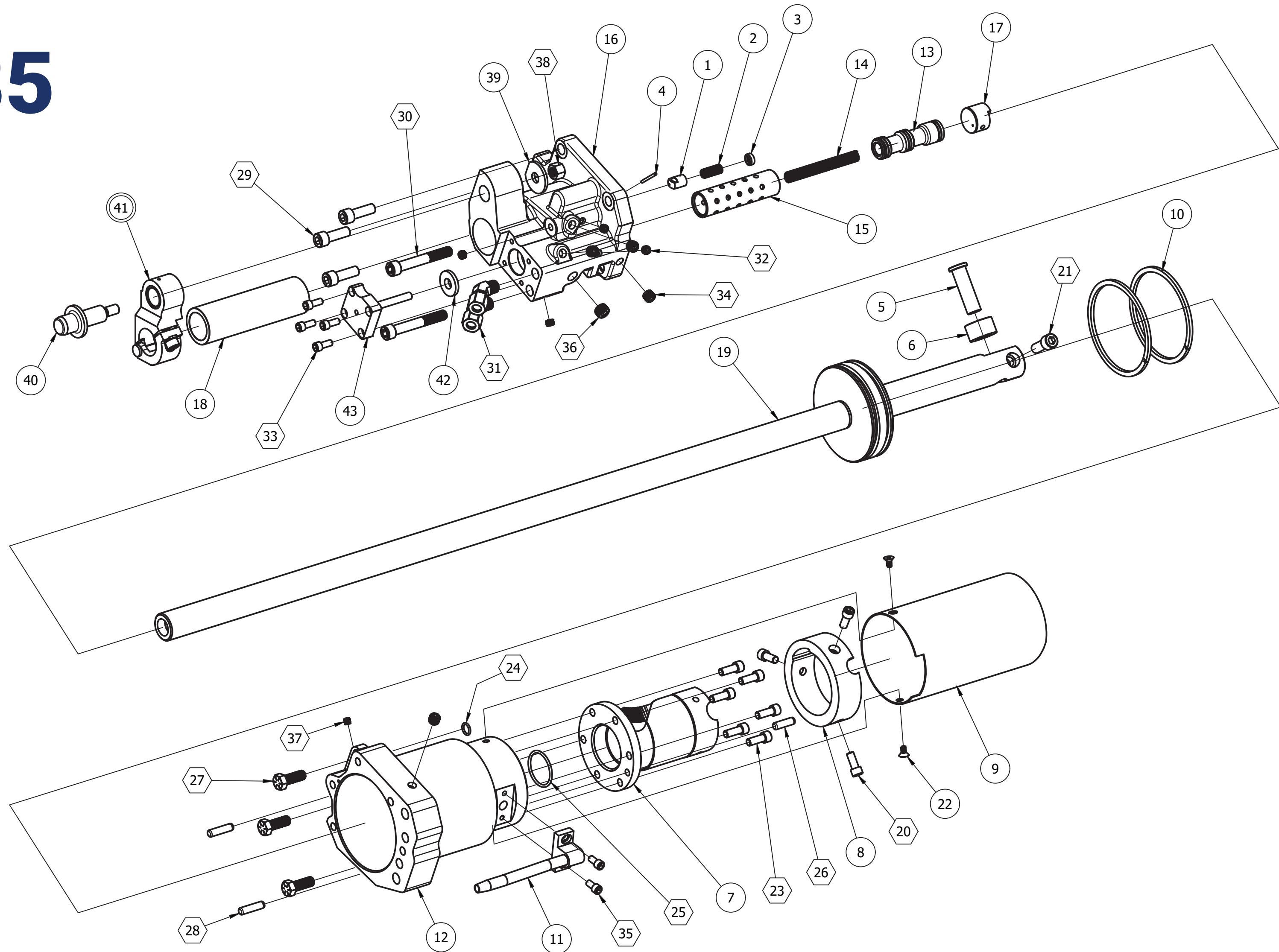


# Baffle

---

Machine Type	"E"
FAMA ID	160085
SAP ID	7000003008

# Baffle - 160085



# Baffle - 160085

IND	FAMA ID	SAP ID	DESCRIPTION	QTY
1	305728	7000003548	CHECK VALVE	1
2	305730	7000002962	SPRING	1
3	305715	7000002336	VALVE WASHER	1
4	-	9020146610	PIN	1
5	305854	7000002954	CAM ROLLER STUD	1
6	308827	7000010438	CAM ROLLER	1
7	305847	7000002347	BAFFLE CAM	1
8	305207	7000002321	CAM BAND	1
9	305841	7000010436	CONTAINER	1
10	310248	9020064635	PISTON RING	2
11	160175	7000021677	BLOCK AND TUBE	1
12	301813	7000027107	CYLINDER	1
13	227956	7000002225	VALVE	1
14	305141	7000002979	SPRING	1
15	305836	7000111753	BAFFLE CYL. SPOOL VALVE SLEEVE	1

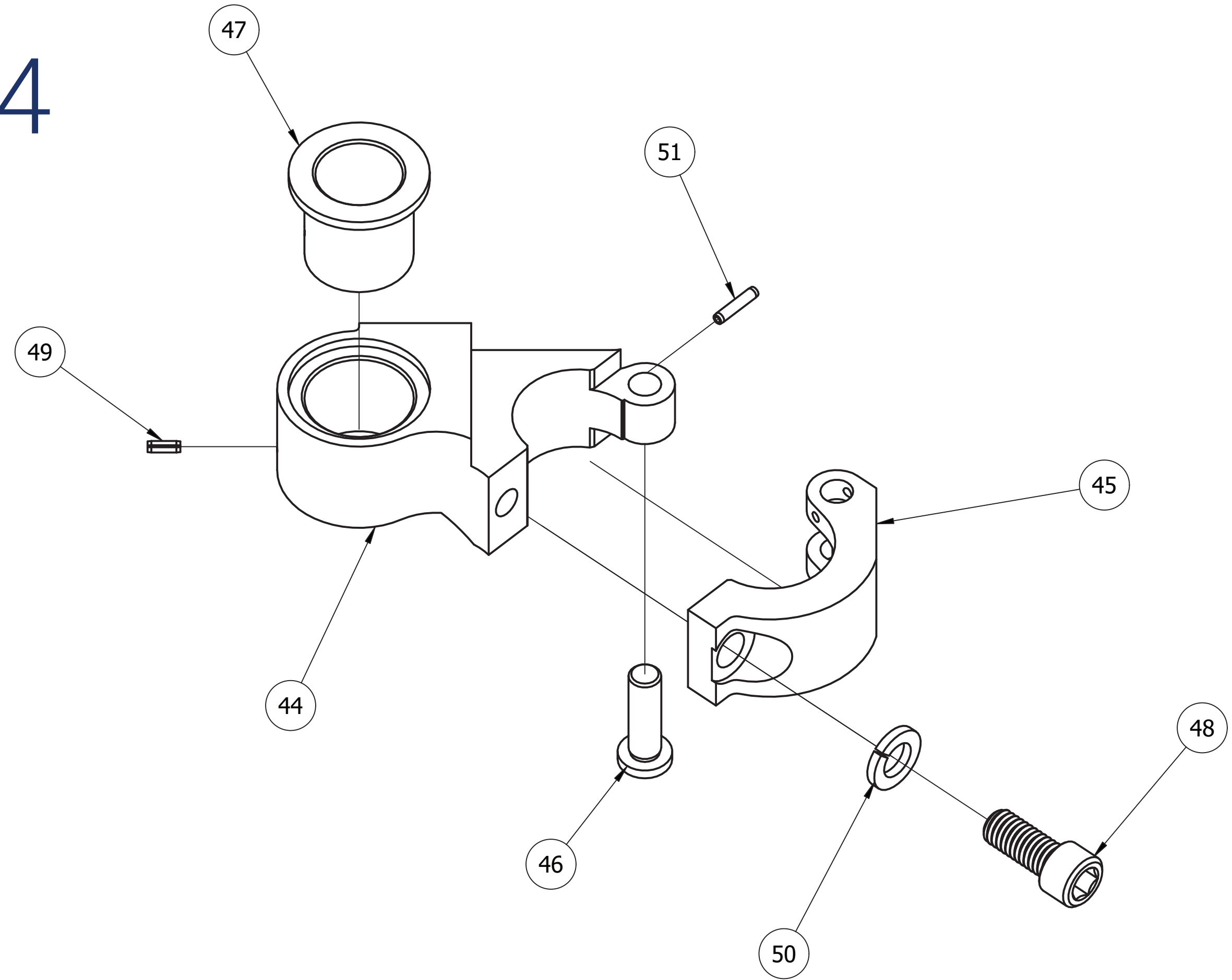
IND	FAMA ID	SAP ID	DESCRIPTION	QTY
16	302616	7000027014	CYLINDER HEAD	1
17	305834	7000018434	PILOT VALVE PLUG	1
18	305831	7000138258	HEAD BUSHING	1
19	306627	7000003513	PISTON & ROD	1
20	-	9020063665	SOC. SCREW	3
21	-	9020063648	SOC. SCREW	1
22	-	9020063564	SOC. SCREW	2
23	-	9020026787	SOC. SCREW	6
24	-	9020026064	O-RING	1
25	-	9020026048	O-RING	1
26	-	9020063763	DOWEL PIN	1
27	-	9020064969	HEX. SCREW	3
28	-	9020063762	DOWEL PIN	2
29	-	9020026792	SOC. SCREW	3
30	-	9020127429	SOC. SCREW	2

IND	FAMA ID	SAP ID	DESCRIPTION	QTY
31	-	9020033873	90° MALE CONN.	2
32	-	9020065948	SOC. PIPE PLUG	4
33	-	9020026782	SOC. SCREW	4
34	-	9020065929	SOC. PIPE PLUG	5
35	-	9020146404	SOC. SCREW	2
36	-	9020065946	SOC. PIPE PLUG	1
37	-	9020065936	SOC. PIPE PLUG	2
38	-	9020063134	HEX. NUT	1
39	160089	7000002474	WASHER	1
40	160087	7000003010	GUIDE PIN	1
41	160084	7000002476	BUSHING HOLDER	1
42	227948	7000002224	WASHER	1
43	348244	7000022293	COVER	1



# Baffle

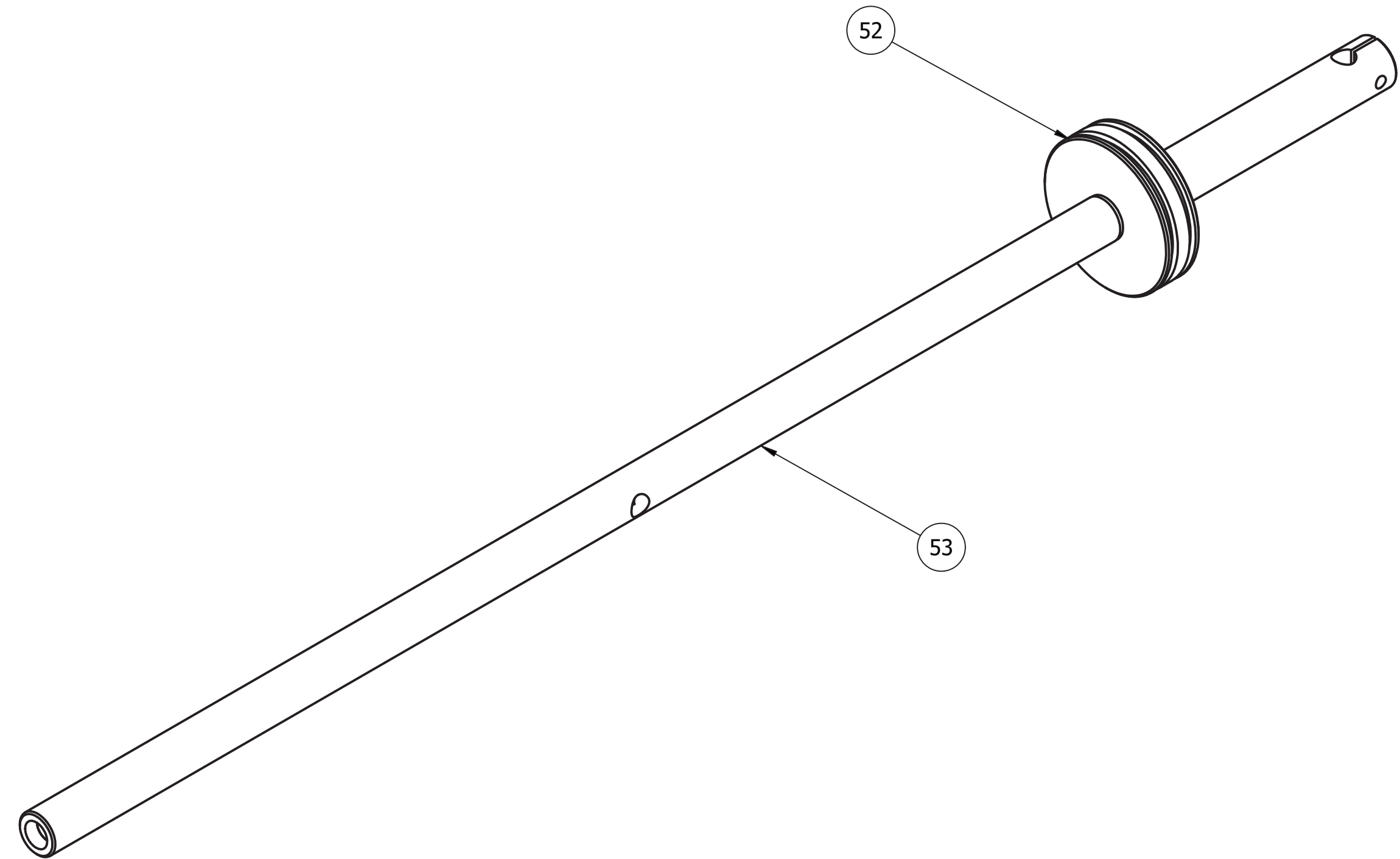
## Sub assembly - 160084



IND	FAMA ID	SAP ID	DESCRIPTION	QTY
44	160112	7000021679	BUSHING HOLDER	1
45	160038	7000021690	GRAPA	1
46	160039	7000021689	PIN	1
47	160041	7000021688	BUSHING	1
48	-	9020026778	SOC. SCREW	1
49	-	902006367	ROLL PIN	1
50	-	9020107008	WASHER	1
51	-	9020063829	ROLL PIN	1

# Baffle

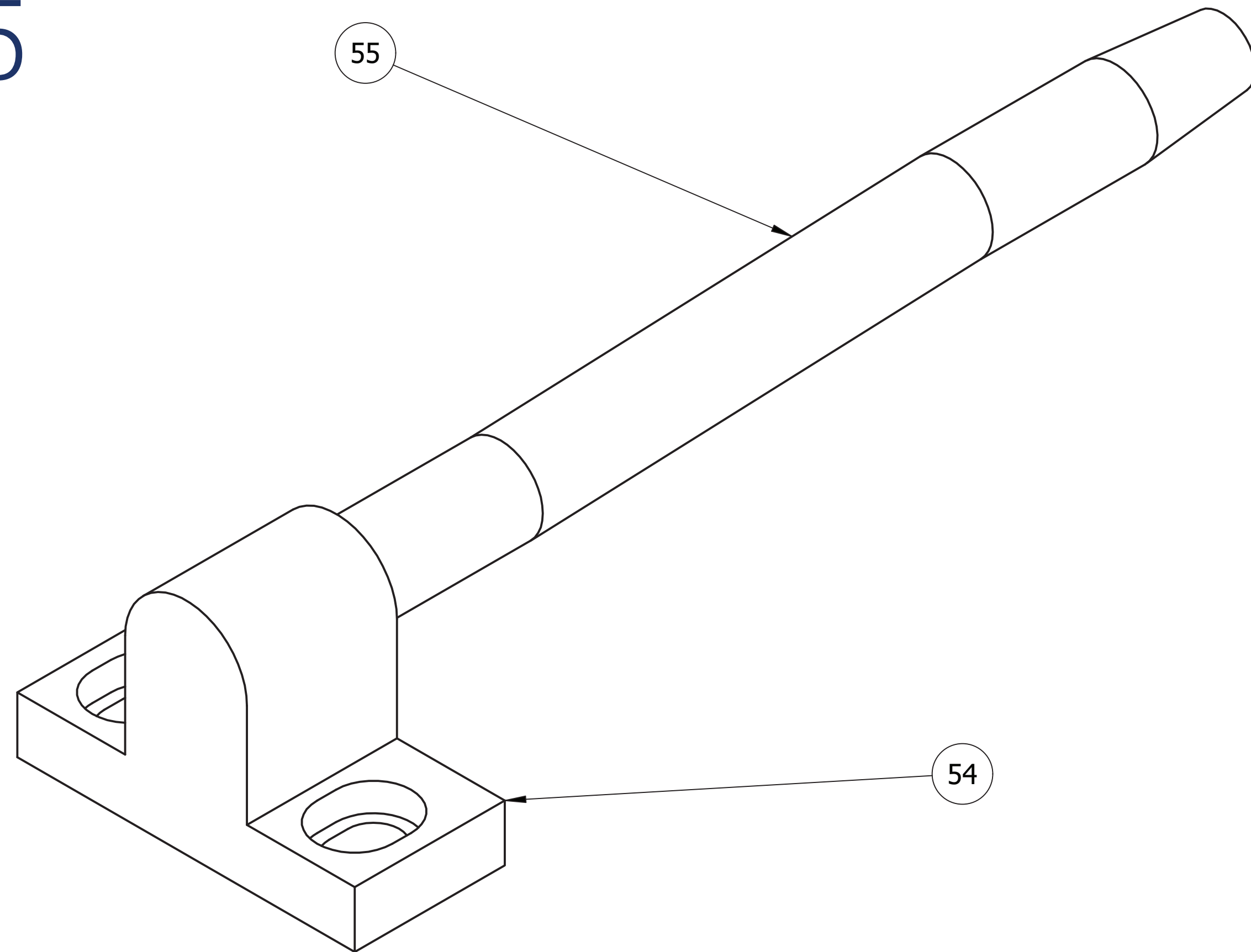
## Sub assembly - 306627



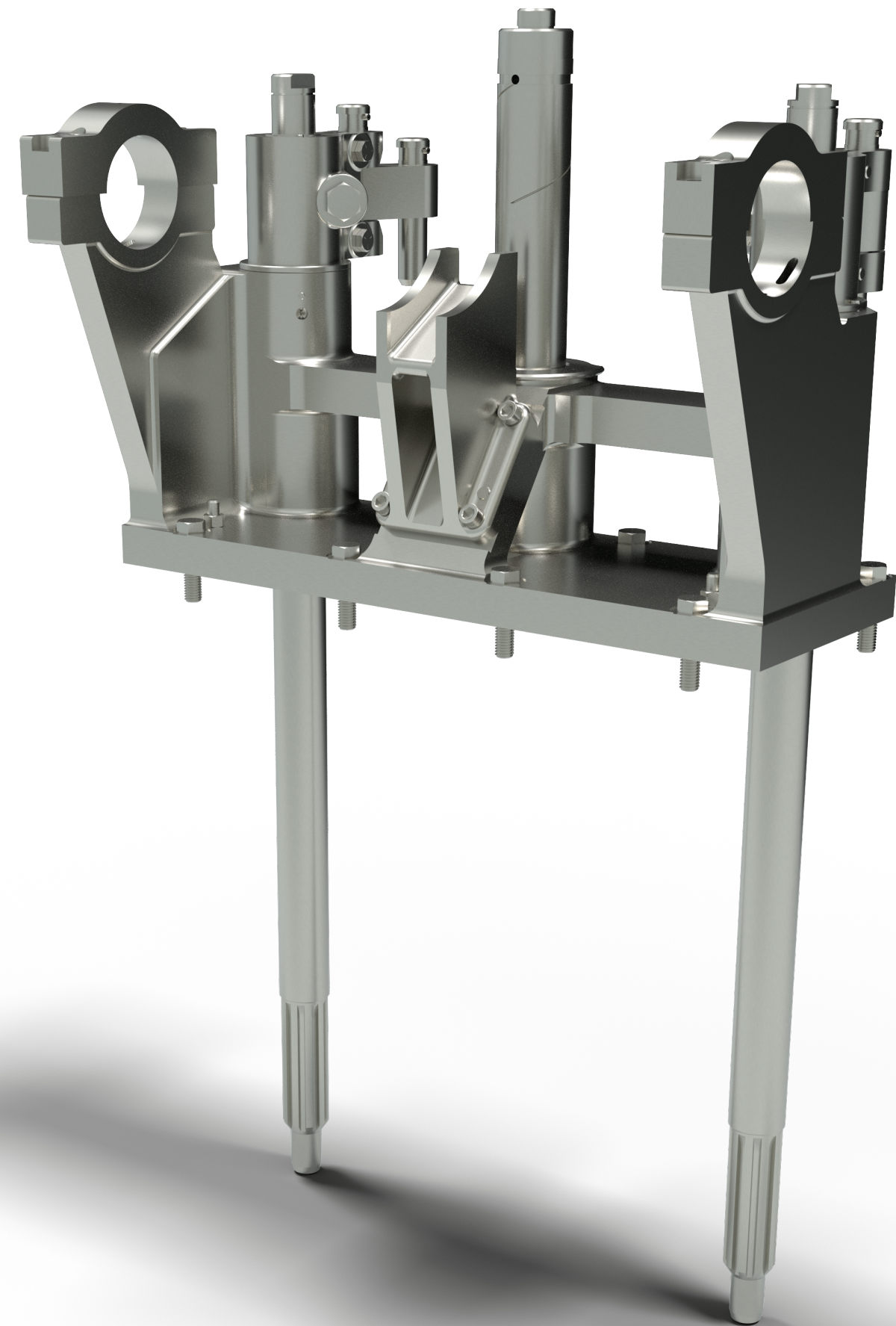
IND	FAMA ID	SAP ID	DESCRIPTION	QTY
52	305851	7000026650	ROD	1
53	306628	7000026383	PISTON	1

# Baffle

## Sub assembly - 160175



IND	FAMA ID	SAP ID	DESCRIPTION	QTY
54	305845	7000018432	BLOCK	1
55	160176	7000021676	TUBE	1



# Blow Mold Holder Support

---

Machine Type	"E"
FAMA ID	340170
SAP ID	7000002885

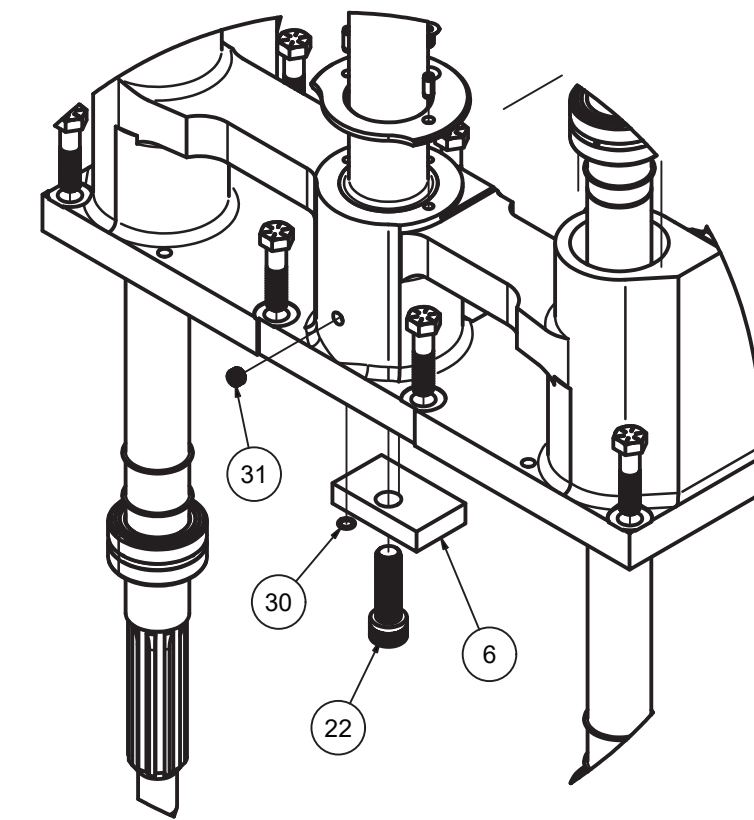
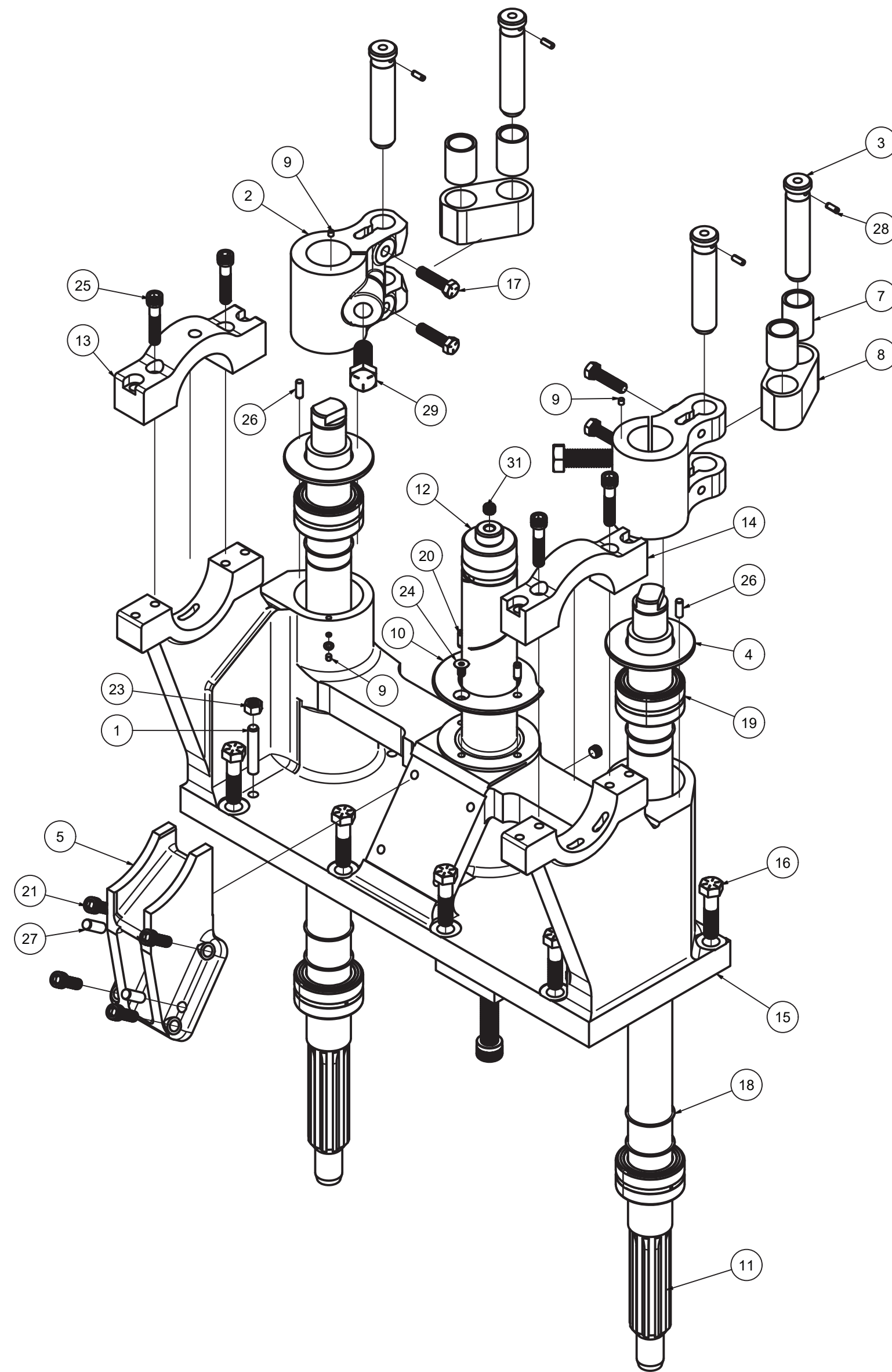
# Blow Mold Holder Support - 340170

IND	FAMA ID	SAP ID	DESCRIPTION	QTY
1	131984	7000003177	THREAD DOWEL	2
2	302307	7000027057	LEVER	2
3	305436	7000002972	LINK PIN	4
4	305439	7000002327	WASHER	2
5	305442	7000026701	LOCATING BRACKET	1
6	305451	7000010552	CLAMP BAR	1
7	305453	7000002329	SPRING PIN	4
8	305473	7000018486	CONNECTING LINK	2
9	305474	7000003560	BRACKET PLUG	4
10	305482	7000131579	WASHER	1
11	308873	7000010516	BLOW MOLD SHAFT	2

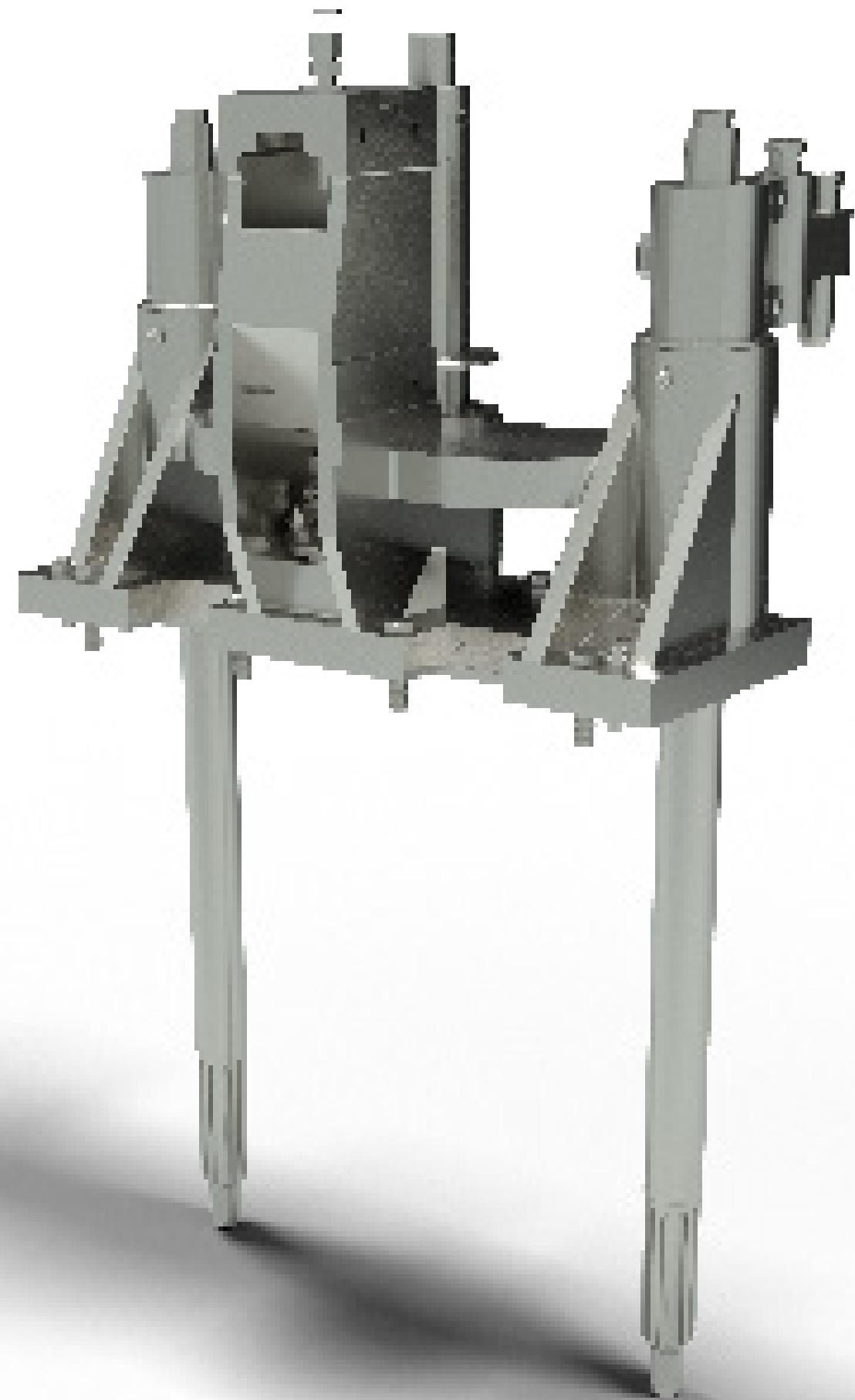
IND	FAMA ID	SAP ID	DESCRIPTION	QTY
12	308874	7000003120	HINGE PIN	1
13	340168	7000025390	CAP - R.H.	1
14	340169	7000025389	CAP - L.H.	1
15	340171	7000025388	BLOW MOLD BRACKET	1
16	-	9020001567	HEX. HD. SCR	8
17	-	9020001596	HEX. HD. SCR	4
18	-	9020025991	RETAINING RING SPIROLOX	6
19	-	9020026096	BEARING	4
20	-	9020026717	ROLL PIN	2
21	-	9020026787	HEX. SOC. CAP SCR	4
22	-	9020056900	HEX. SOC. CAP SCR	1

IND	FAMA ID	SAP ID	DESCRIPTION	QTY
23	-	9020063148	HEX JAM NUT	2
24	-	9020063564	HEX. SOC. FLAT SCR	1
25	-	9020063661	HEX. SOC. CAP SCR	4
26	-	9020063739	DOWELL PIN	2
27	-	9020063764	DOWELL PIN	2
28	-	9020063825	ROLL PIN	4
29	-	9020064810	HEX. HD. SCR	2
30	-	9020065515	O-RING	1
31	-	9020065930	SOC. PIPE PLUG	2

# Blow Mold Holder Support 340170



VISTA POSTERIOR



# Blank Mold Holder Support

---

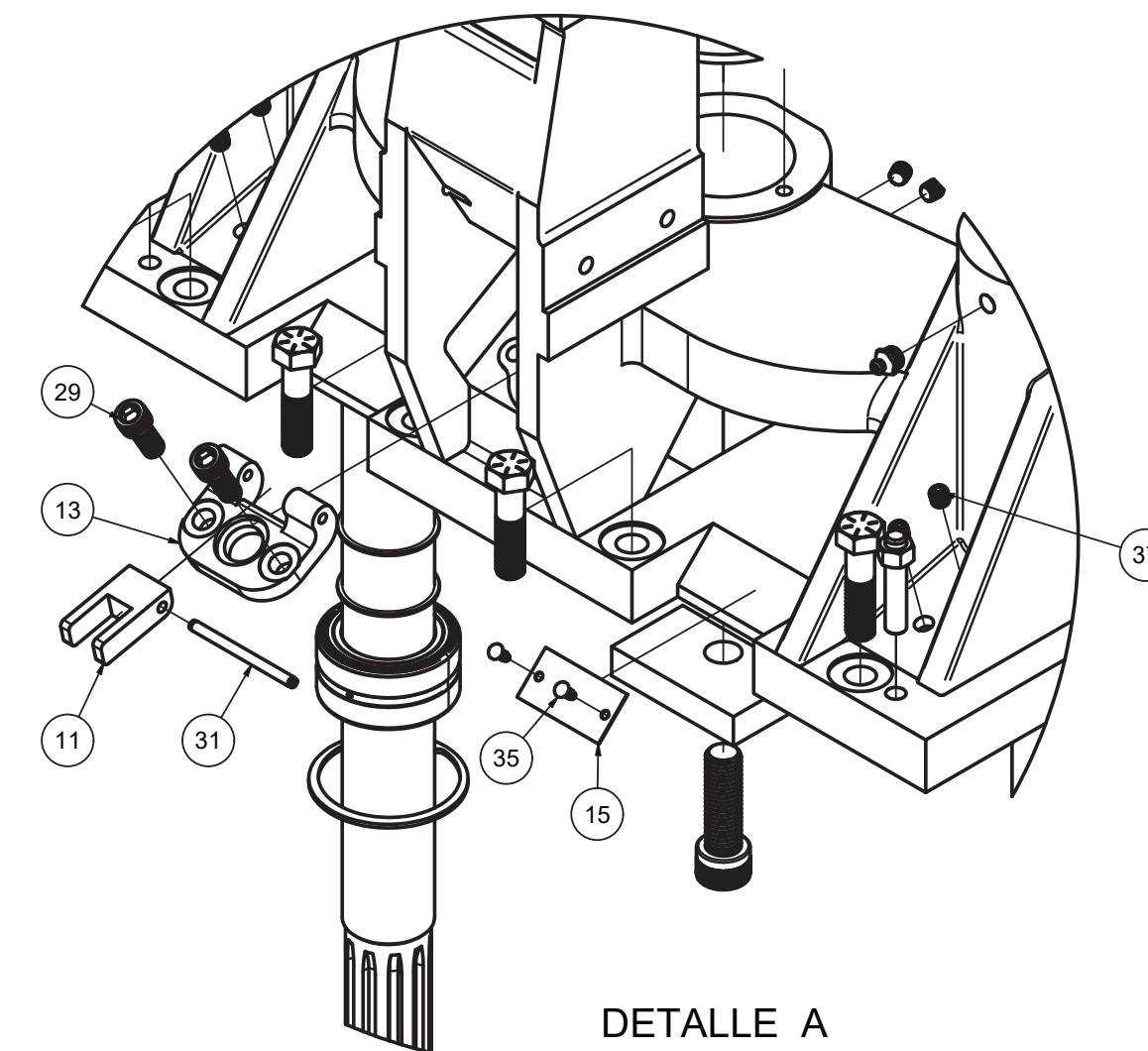
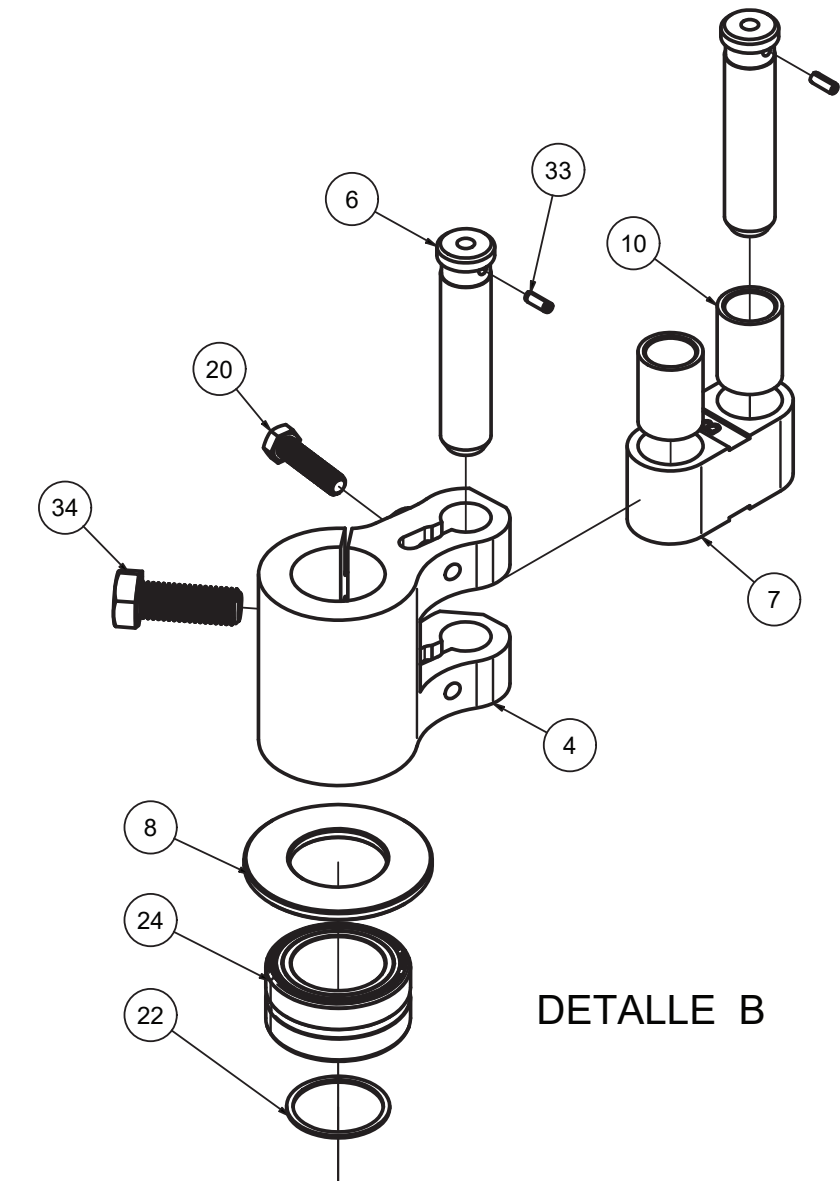
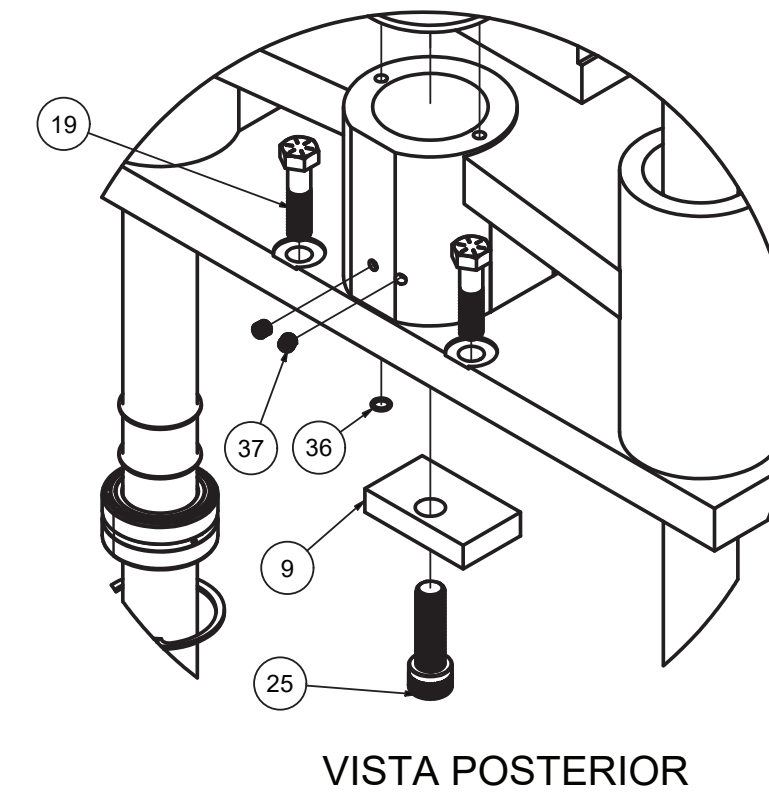
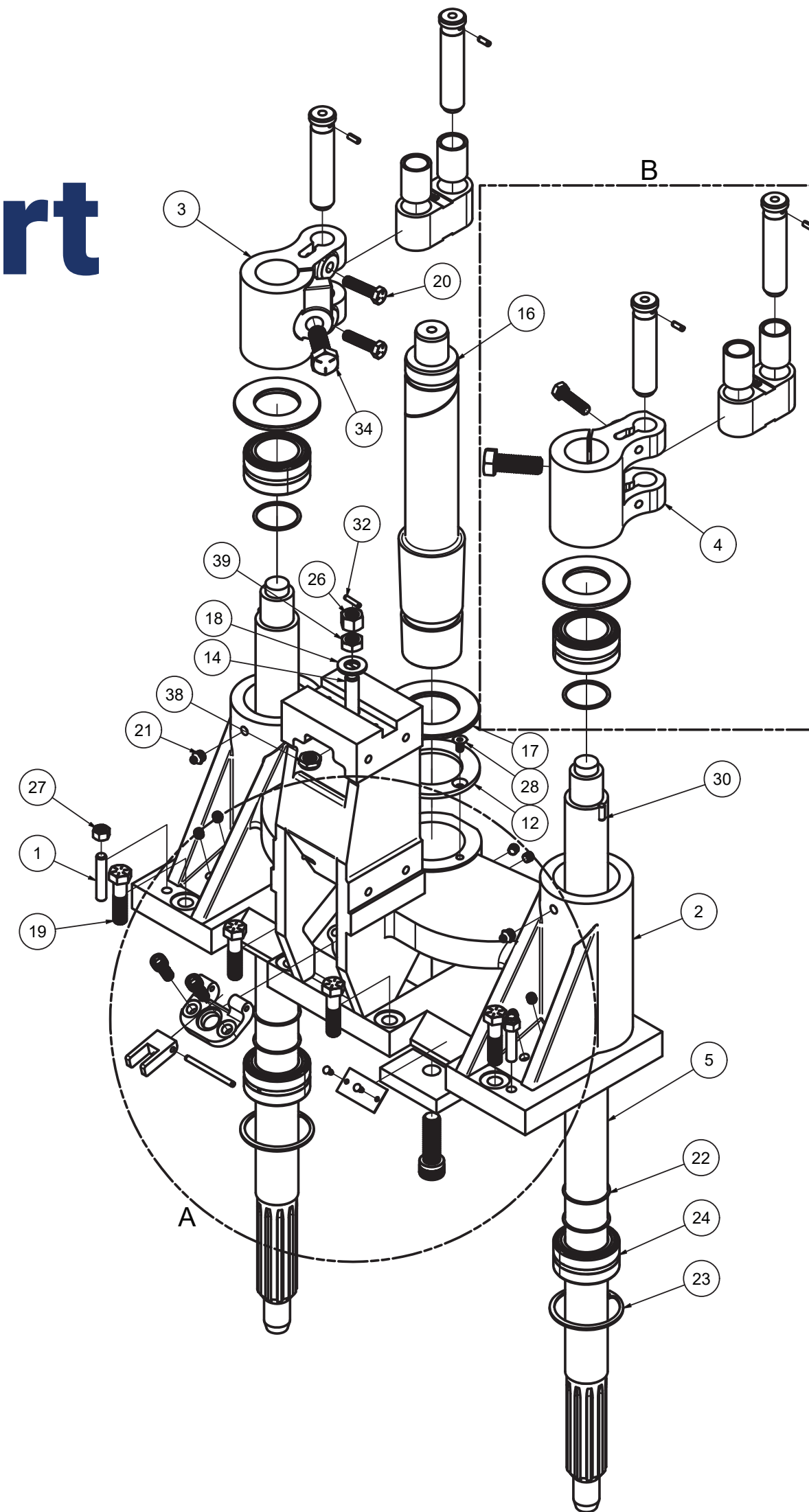
Machine Type	"E"
FAMA ID	302425
SAP ID	7000003023

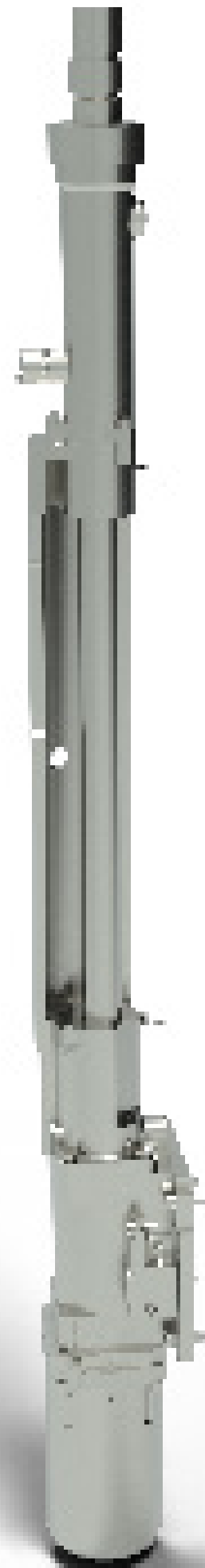
# Blank Mold Holder Support - 302425

IND	FAMA ID	SAP ID	DESCRIPTION	QTY	IND	FAMA ID	SAP ID	DESCRIPTION	QTY	IND	FAMA ID	SAP ID	DESCRIPTION	QTY
1	131984	7000003177	THREAD DOWEL	2	16	310214	7000023913	HINGE PIN	1	31	-	9020063768	ROLL PIN	1
2	302268	7000027073	BLANK MOLD BRACKET	1	17	310221	7000009894	MOLD WASHER	1	32	-	9020063775	ROLL PIN	1
3	302306	7000003798	LEVER L.H	1	18	4422010	7000124195	WASHER	1	33	-	9020063825	ROLL PIN	4
4	302307	7000027057	LEVER R.H	1	19	-	9020001567	HEX. HD SCR	6	34	-	9020064810	HEX. HD SCR	2
5	302438	7000027029	BLANMK MOLD SHAFT	2	20	-	9020001596	HEX. HD SCR	4	35	-	9020064945	HEX. HD SCR	2
6	305436	7000002972	LINK PIN	4	21	-	9020004670	GREASE FITTING	2	36	-	9020065515	O-RING	1
7	305437	7000002971	CONNECTING LINK	2	22	-	9020025991	RETAINING RING	6	37	-	9020065931	SOC. PIPE PLUG	7
8	305439	7000002327	WASHER	2	23	-	9020025996	RETAINING RING	2	38	-	9020071600	HEX JAM NUT	1
9	305451	7000010552	CLAMP BAR	1	24	-	9020026096	ROLLER BEARING	4	39	-	9020133846	HEX JAM NUT	1
10	305453	7000002329	LINK BUSHING	4	25	-	9020056900	HEX. SOC. CAP SCR	1					
11	306899	7000020609	DETENT	1	26	-	9020063134	HEX. NUT	1					
12	310197	7000003145	WEAR PLATE	1	27	-	9020063148	HEX JAM NUT	2					
13	310210	7000003457	DETENT BRACKET	1	28	-	9020063564	HEX. FLAT HD SCR	2					
14	310211	7000020154	CLAMP STUD	1	29	-	9020063665	HEX. SOC. CAP SCR	2					
15	310212	7000020153	IDENTIFICATION PLATE	1	30	-	9020063765	DOWELL PIN	2					



# Blank Mold Holder Support 302425



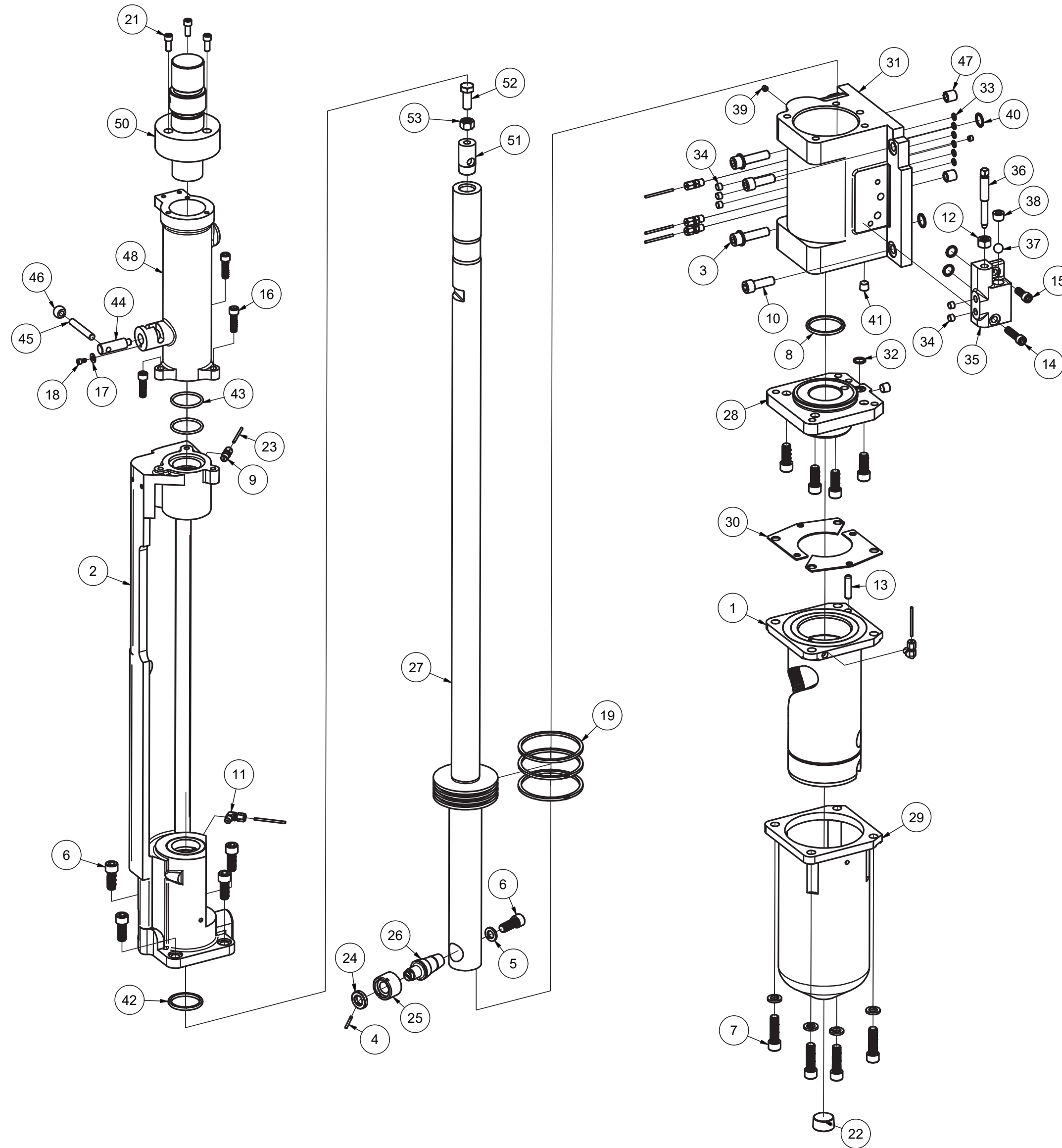


# Blow Head

---

Machine Type	"E", "F" y "SF"
FAMA ID	308670
SAP ID	7000003114

# Blow Head 308670



# Blow Head - 308670

IND	FAMA ID	SAP ID	DESCRIPTION	QTY
1	305020	7000002311	BLOW HEAD MECHANISM- CAM	1
2	305021	7000010558	CYLINDER DOWN CUSHION BLOCK	1
3	305023	7000026753	BLOW HEAD CAM HOUSING	1
4	305153	7000131380	CUSHION VALVE	1
5	305154	7000002977	BLOW HEAD CAM SPACER	2
6	307592	7000020528	STOP PIN	1
7	307593	7000003182	PIN	1
8	307596	7000002387	BUSHING	2
9	307732	7000003179	PISTON & ROD	1
10	307736	7000131153	LOWER CYLINDER CAP	1
11	307737	7000003176	CAM FOLLOWER STUD	1
12	308556	7000026183	HOUSING	1
13	308668	7000131393	ADAPTER	1
14	308685	7000003117	OUTBOARD BEARING	1
15	309171	7000002413	CYLINDER	1
16	310261	7000003157	CAM FOLLOWER RETAINER	1
17	310861	7000003424	CAM FOLLOWER	1

IND	FAMA ID	SAP ID	DESCRIPTION	QTY
18	313296	7000019773	CYLINDER SCREW - LOWER	*2
19	7000125204	4429005	WASHER	1
20	-	9020015252	CONNECTOR STRAIGHT	4
21	-	9020015584	ROOL PIN	1
22	-	9020019707	ELBOW ADAPTER	2
23	-	9020026005	O-RING	4
24	-	9020026046	O-RING	1
25	-	9020026048	O-RING	2
26	-	9020026058	O-RING	2
27	-	9020026782	SOCKET CAP SREW	3
28	-	9020026787	SOCKET CAP SREW	1
29	-	9020031315	O-RING	1
30	-	9020046517	WASHER	5
31	-	9020055030	DECELERATOR	1
32	-	9020057198	HEX HEAD CAP SCREW	1
33	-	9020063149	HEX JAM NUT	1
34	-	9020063241	TUBBING	6

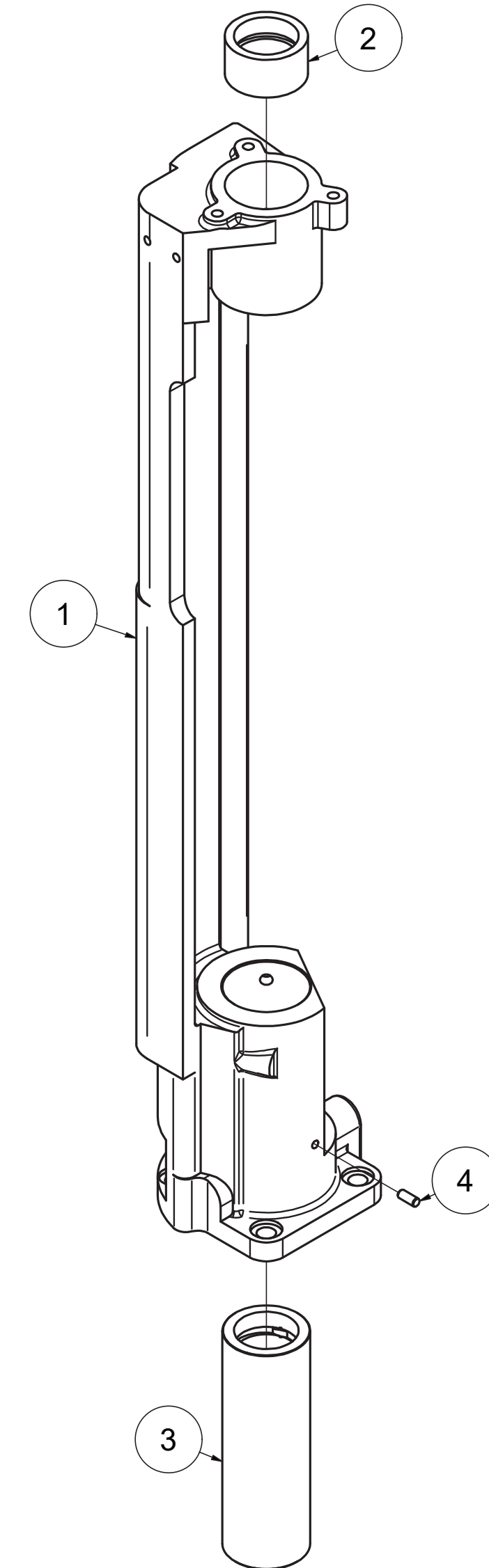
IND	FAMA ID	SAP ID	DESCRIPTION	QTY
35	-	9020063646	SOCKET CAP SREW	4
36	-	9020063647	SOCKET CAP SREW	2
37	-	9020063648	SOCKET CAP SREW	9
38	-	9020063662	SOCKET CAP SREW	1
39	-	9020063664	SOCKET CAP SREW	3
40	-	9020063696	SOCKET CAP SREW	1
41	-	9020063762	DOWEL PIN	1
42	-	9020064632	PISTON RING	3
43	-	9020065515	O-RING	6
44	-	9020065932	SOCKET PIPE PLUG	1
45	-	9020065936	SOCKET PIPE PLUG	2
46	-	9020065946	SOCKET PIPE PLUG	1
47	-	9020065947	SOCKET PIPE PLUG	3
48	-	9020065948	SOCKET PIPE PLUG	5
49	-	9020066532	BALL	1
30	-	9020104764	BALL KNOB	1
31	-	9020133846	HEX JAM NUT	1

# Blow Head

## Sub assembly

### 308685

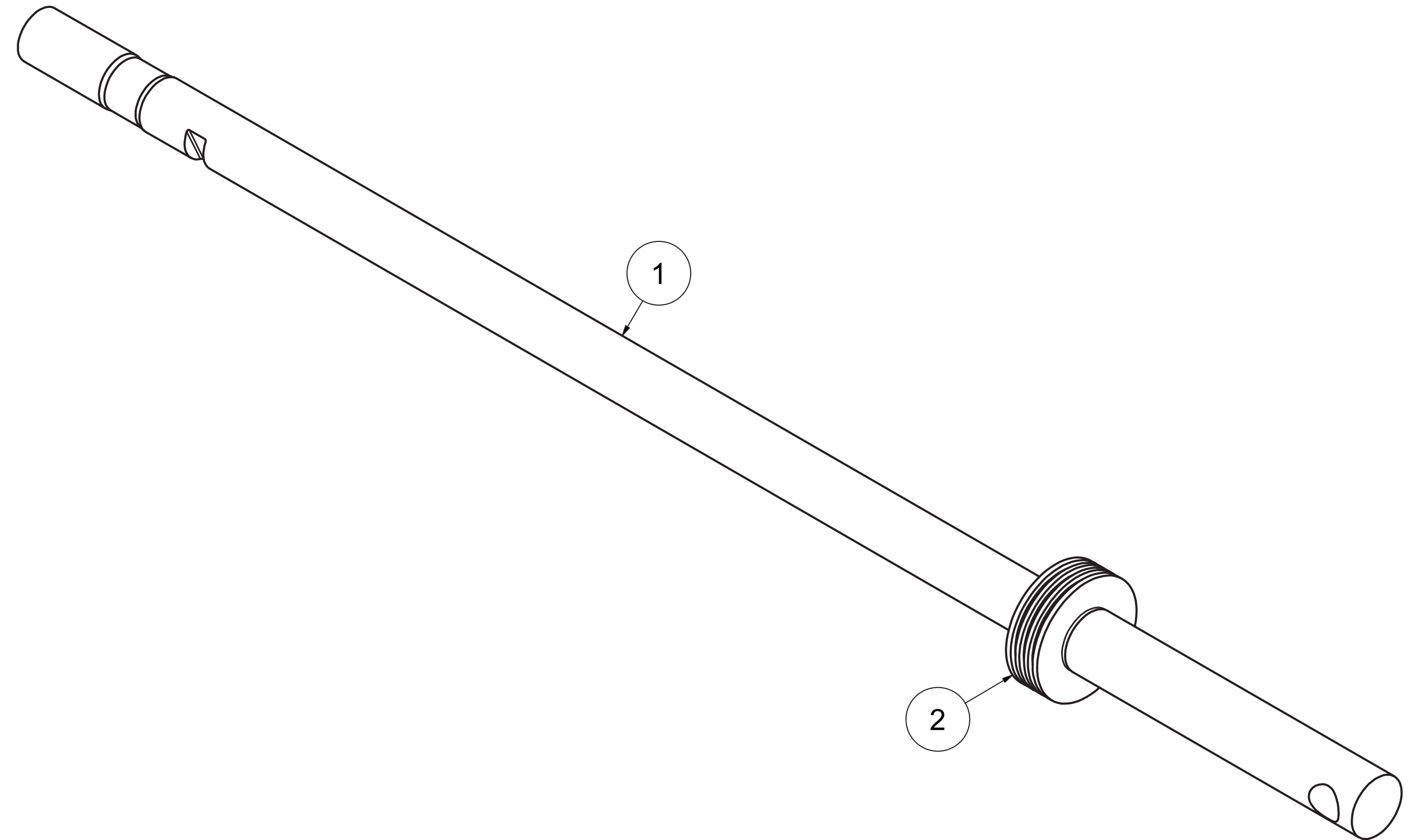
IND	FAMA ID	SAP ID	DESCRIPTION	QTY
1	305757	7000018440	BUSHING	2
2	307912	7000026247	BUSHING	1
3	308673	7000026175	CYL. HEAD AND OUTBOARD BEARING SUPPORT	1
4	-	9020063765	DOWEL PIN	1



# Blow Head

## Sub assembly

### 307732



IND	FAMA ID	SAP ID	DESCRIPTION	QTY
1	307734	7000026280	PISTON BLANK	1
2	307733	7000026283	PISTON ROD	1

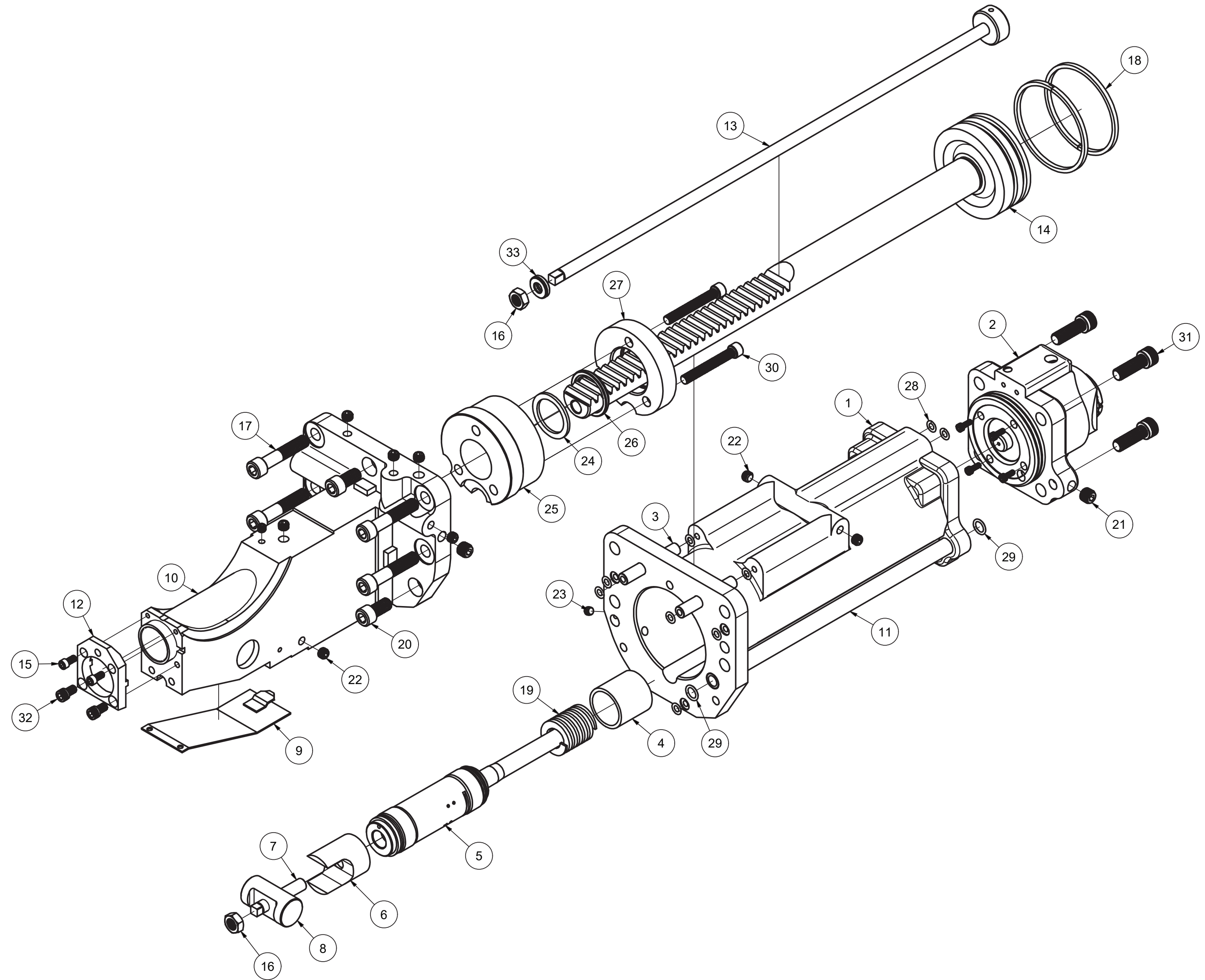


# Invert High Inertia

---

Machine Type	"E", "F" y "SF"
FAMA ID	320640
SAP ID	7000011385

# Invert High Inertia 320640





# Invert High Inertia - 320640

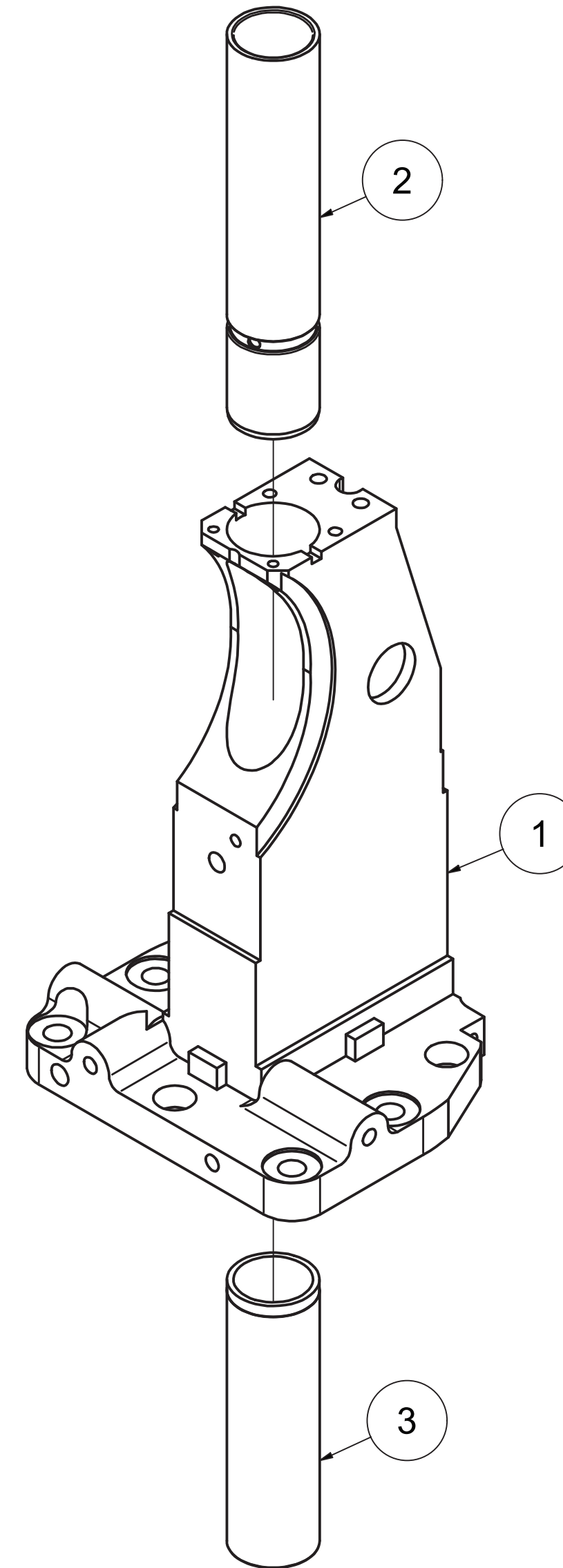
IND	FAMA ID	SAP ID	DESCRIPTION	QTY
1	F304265	7000003585	PISTON & ROD	1
2	F309912	7000020217	BUSHING	1
3	F309918	7000020214	SCREW	1
4	F309921	7000020212	PIN	1
5	F309922	7000020211	END CAP YOKE	1
6	F309973	7000020192	COVER PLATE	1
7	F311654	7000003444	TUBE AIR	1
8	F311655	7000003445	TUBE OIL	2
9	F313246	7000019780	ADJUSTING ROD	1
10	F314638	7000023275	CYLINDER	1
11	F318276	7000019321	WASHER	1
12	F318277	7000019320	CYLINDER CAP	1
13	F318503	7000019288	SEAL RING GLAND	1
14	F318506	7000019286	SEAL RING RETAINER	1
15	F318771	7000019209	INTERLOCK PLATE SHORT	1

IND	FAMA ID	SAP ID	DESCRIPTION	QTY
16	F319910	7000025564	S.M. INVERT CUSHION ASSEMBLY	1
17	F320645	7000025516	CUSHION CYLINDER ASSEMBLY	1
18	F320650	7000025515	CILINDER HEAD & BUSHINGS	1
19	-	9020001571	SCREW	4
20	-	9020026064	O-RING	2
21	-	9020026789	SOC. HD. CAP SCREW	2
22	-	9020026793	SOC. HD. CAP SCREW	3
23	-	9020063657	HEX. HD. CAP SCREW	3
24	-	9020063676	HEX. HD. CAP SCREW	2
25	-	9020064534	SPRING	1
26	-	9020064632	PISTON RING	2
27	-	9020065803	WASHER	1
28	-	9020065898	SOC. PIPE PLUG	4
29	-	9020065909	SOC. PIPE PLUG	13
30	-	9020065941	SOC. PIPE PLUG	3

IND	FAMA ID	SAP ID	DESCRIPTION	QTY
31	-	99020066671	O-RING	9
32	-	9020091628	HEX. HD. CAP SCREW	4
33	-	9020129591	HEX JAM NUT	2

# Invert High Inertia

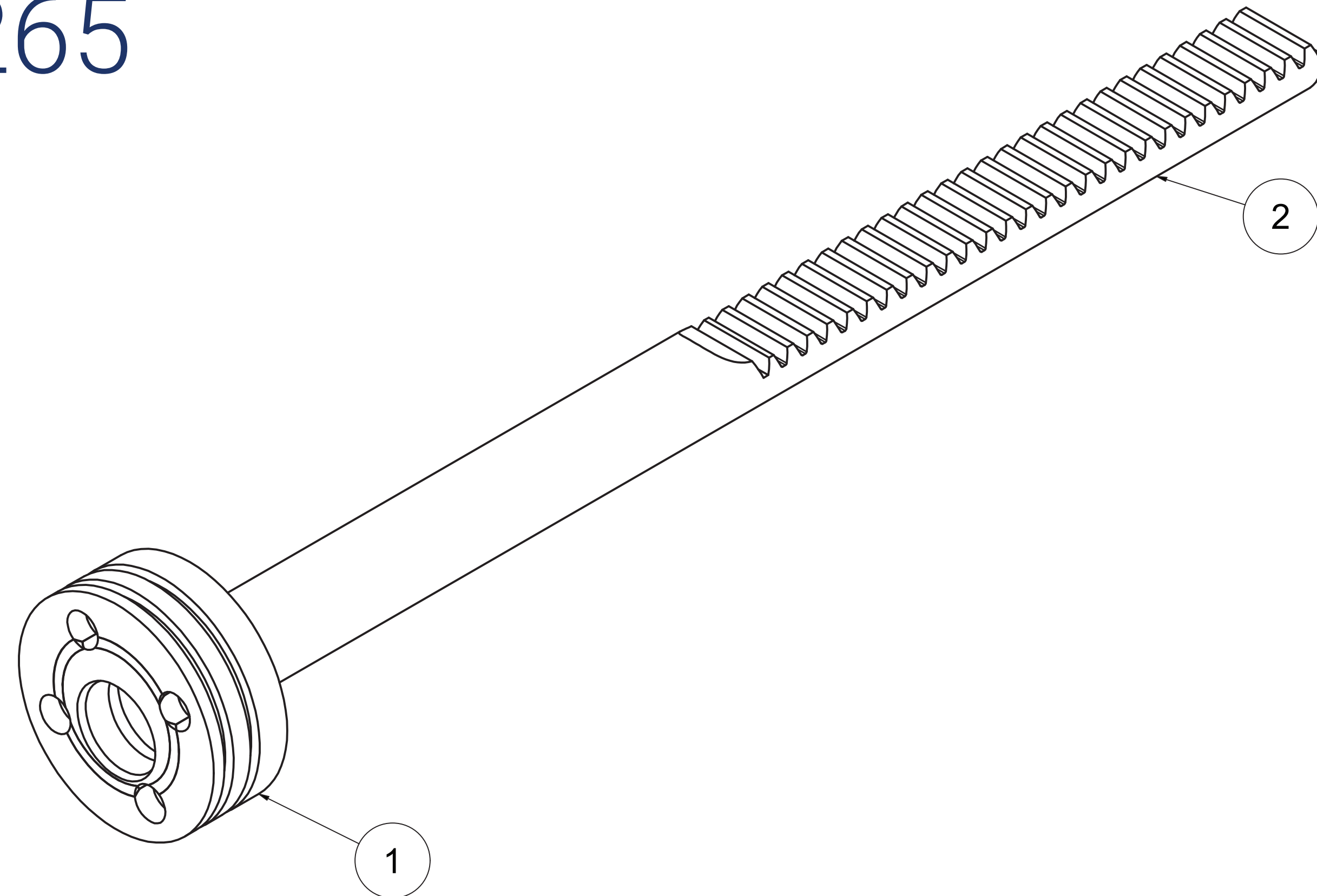
## Sub assembly - 320650



IND	FAMA ID	SAP ID	DESCRIPTION	QTY
1	309908	7000023973	CCYLINDER CAP - UPPER	1
2	312877	7000023496	BUSHING - UPPER	1
3	318232	7000025925	BUSHING-LOWER	1

# Invert High Inertia

## Sub assembly - 304265



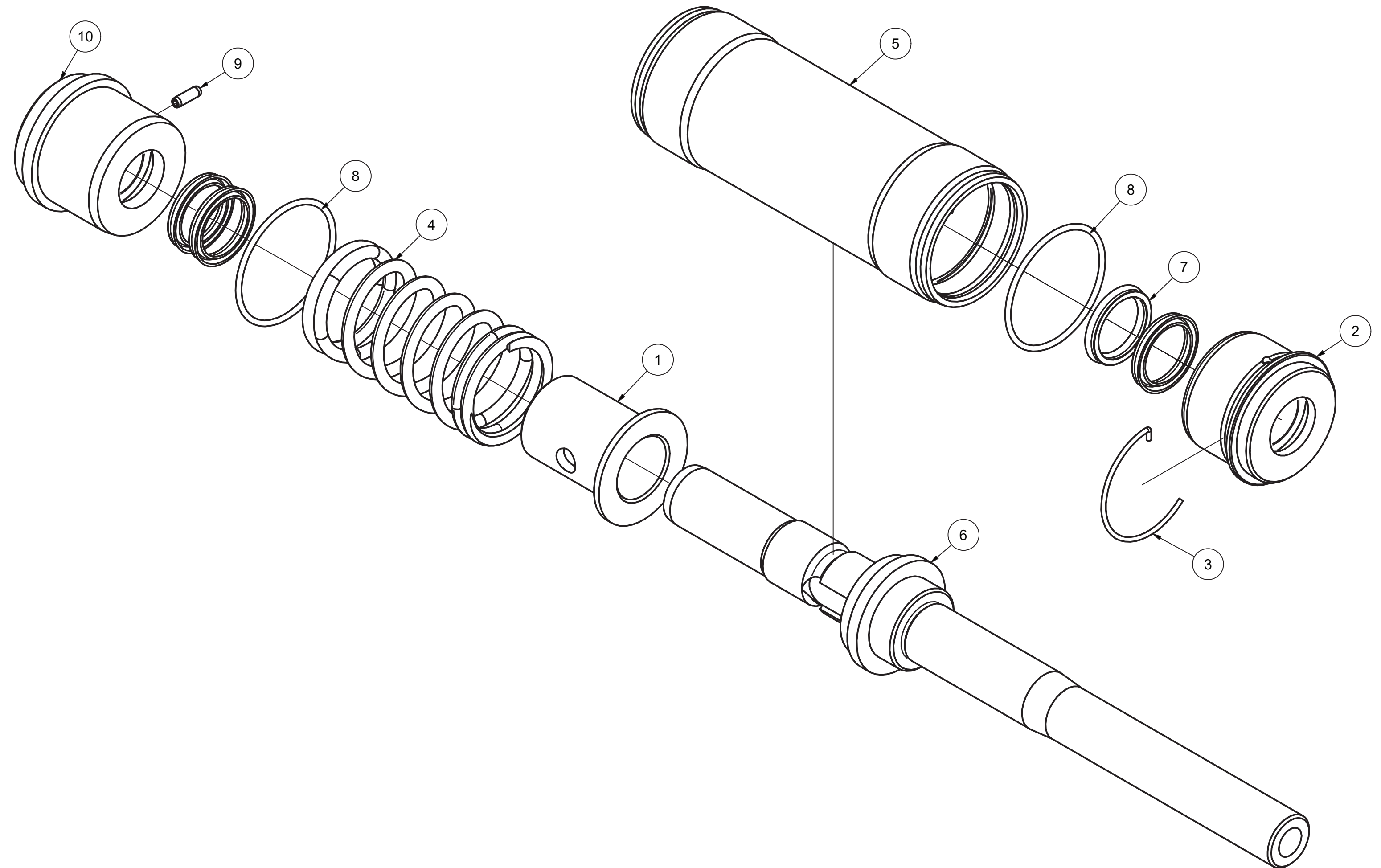
IND	FAMA ID	SAP ID	DESCRIPTION	QTY
1	311986	7000023619	PISTON	1
2	311987	7000023618	ROD	1

# Invert High Inertia

## Sub assembly

### 319910

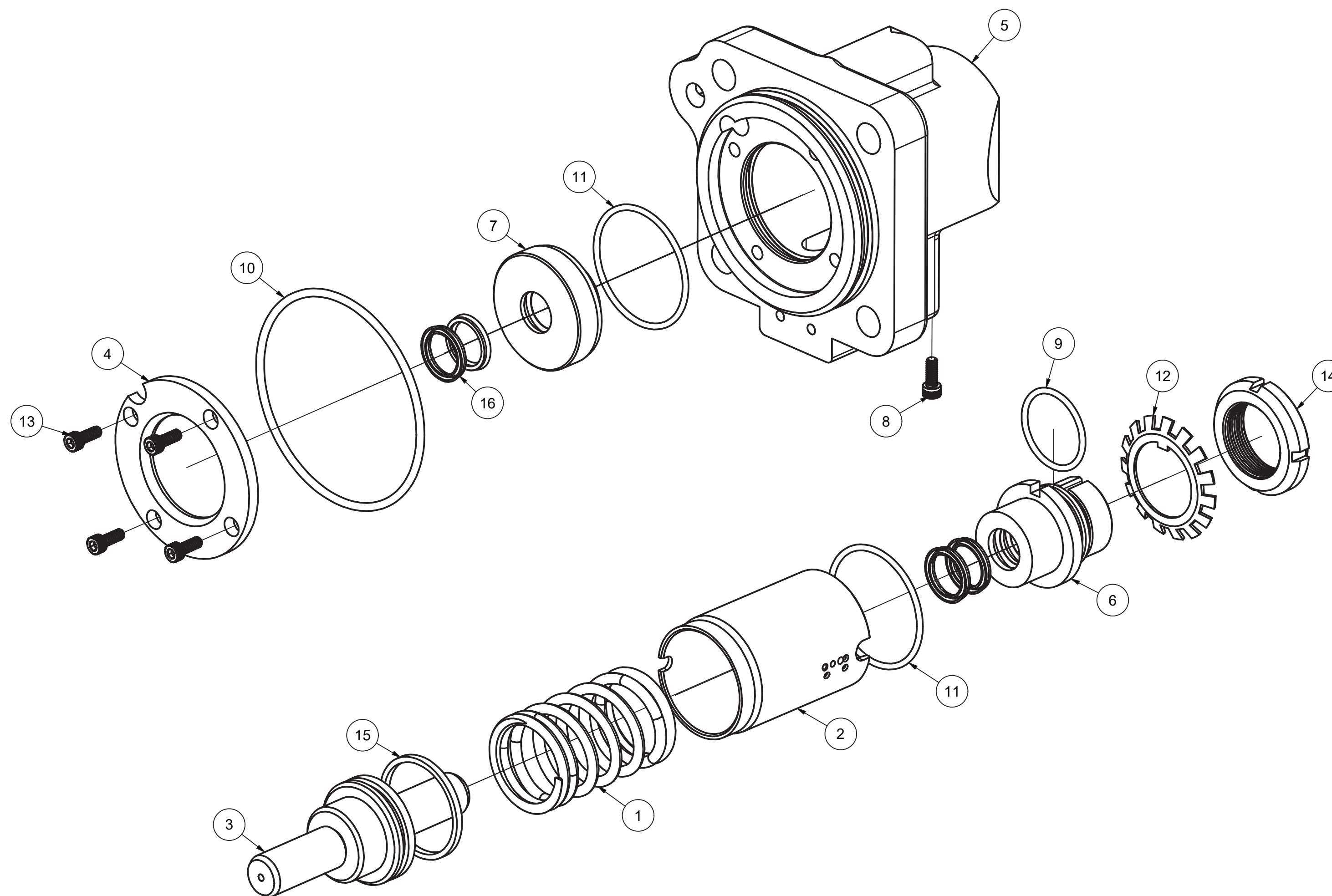
IND	FAMA ID	SAP ID	DESCRIPTION	QTY
1	305020	7000002311	RETENEDOR	1
2	305021	7000010558	TAPA INFERIOR	1
3	305023	7000026753	PISTON	1
4	305153	7000131380	WIRE RETAINER	1
5	305154	7000002977	SPRING	2
6	307592	7000020528	END CAP	1
7	307593	7000003182	TUBE -CYLINDER	1
8	307596	7000002387	O-RING:2-029	2
9	307732	7000003179	ROLL PIN	1
10	307736	7000131153	SEAL	1



# Invert High Inertia

## Sub assembly - 320645

IND	FAMA ID	SAP ID	DESCRIPTION	QTY
1	308643	7000020372	RESORTE	1
2	309923	7000023969	CILINDRO	1
3	309924	7000020210	PISTON	1
4	312729	7000002428	ANILLO RETEN	1
5	312731	7000023519	CYLINDER HEAD - LOWER	1
6	319896	7000019053	END CAP LOWER	1
7	319897	7000019052	END CAP UPPER	1
8	-	9020026777	SOC. HD. CAP SCREW	1
9	-	9020065552	O-RING:2-125	1
10	-	9020065582	O-RING 2-240	1
11	-	9020026038	O-RING 2-138	2
12	-	9020026513	BEARING LOCKWASHER	1
13	-	9020063676	SOC. HD. CAP SCREW	4
14	-	9020042958	BEARING LOCKNUT	1
15	-	9020064573	PISTON RING	1
16	-	9020090362	SEAL	4



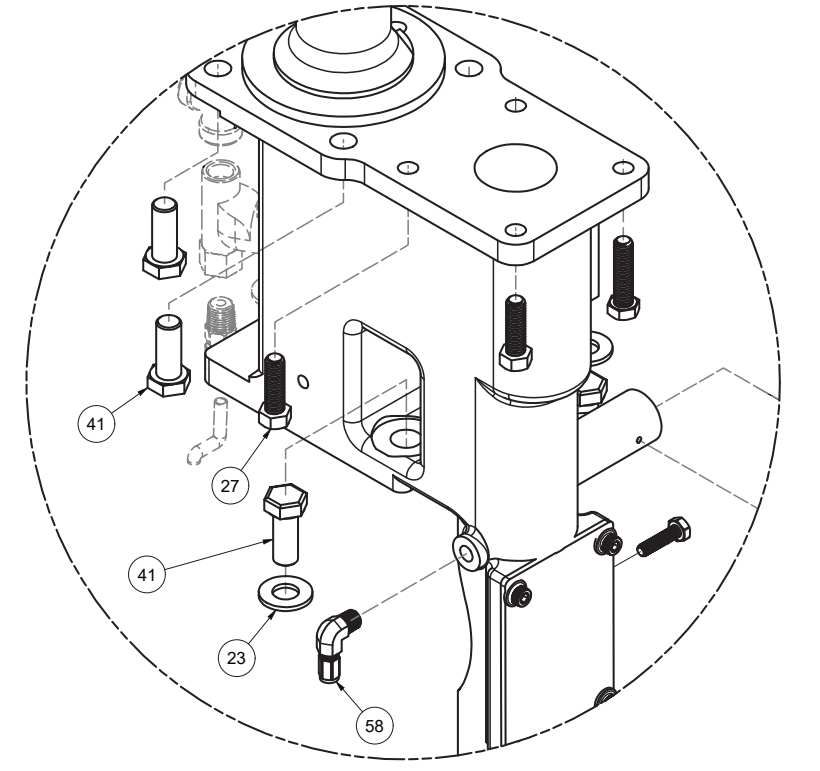
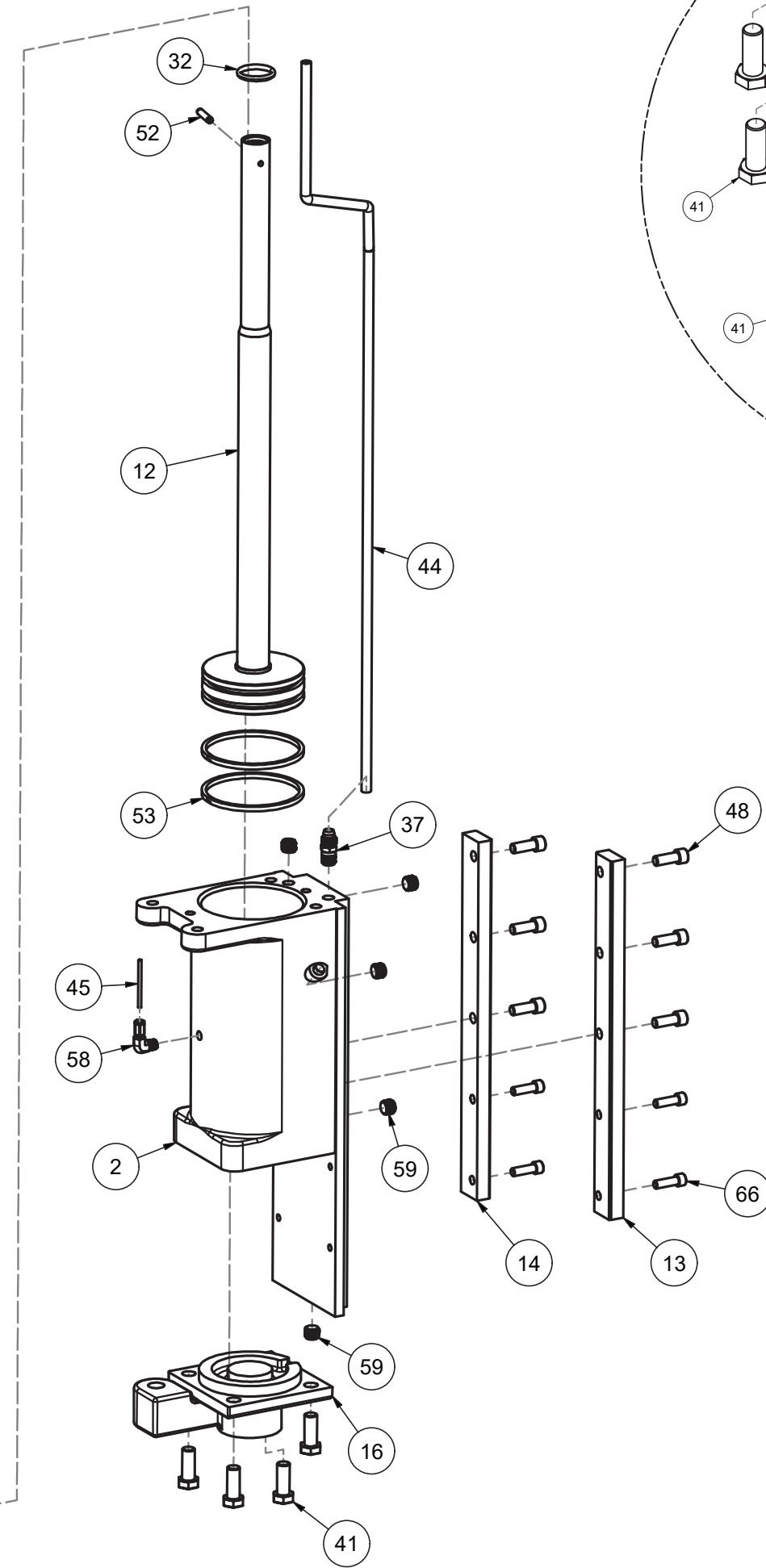
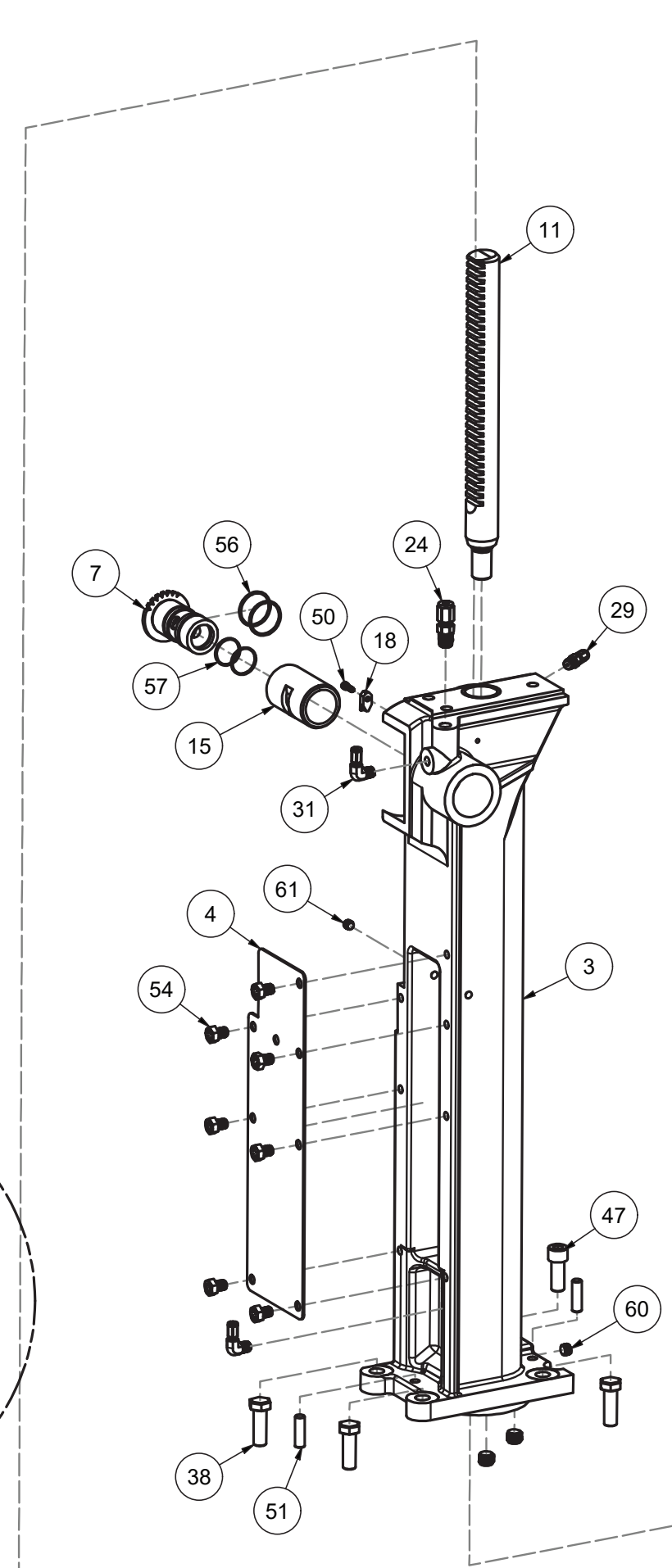
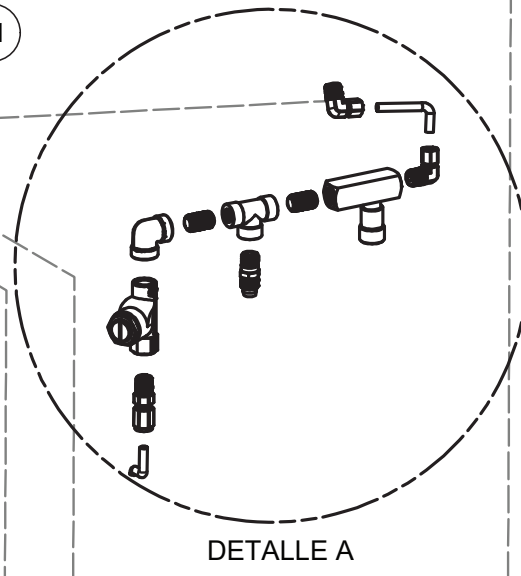
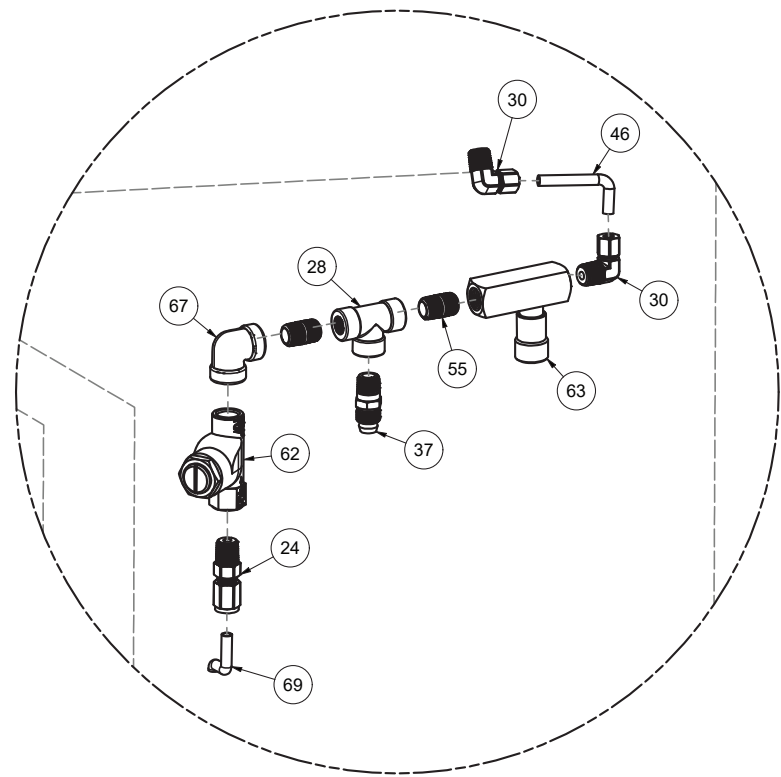
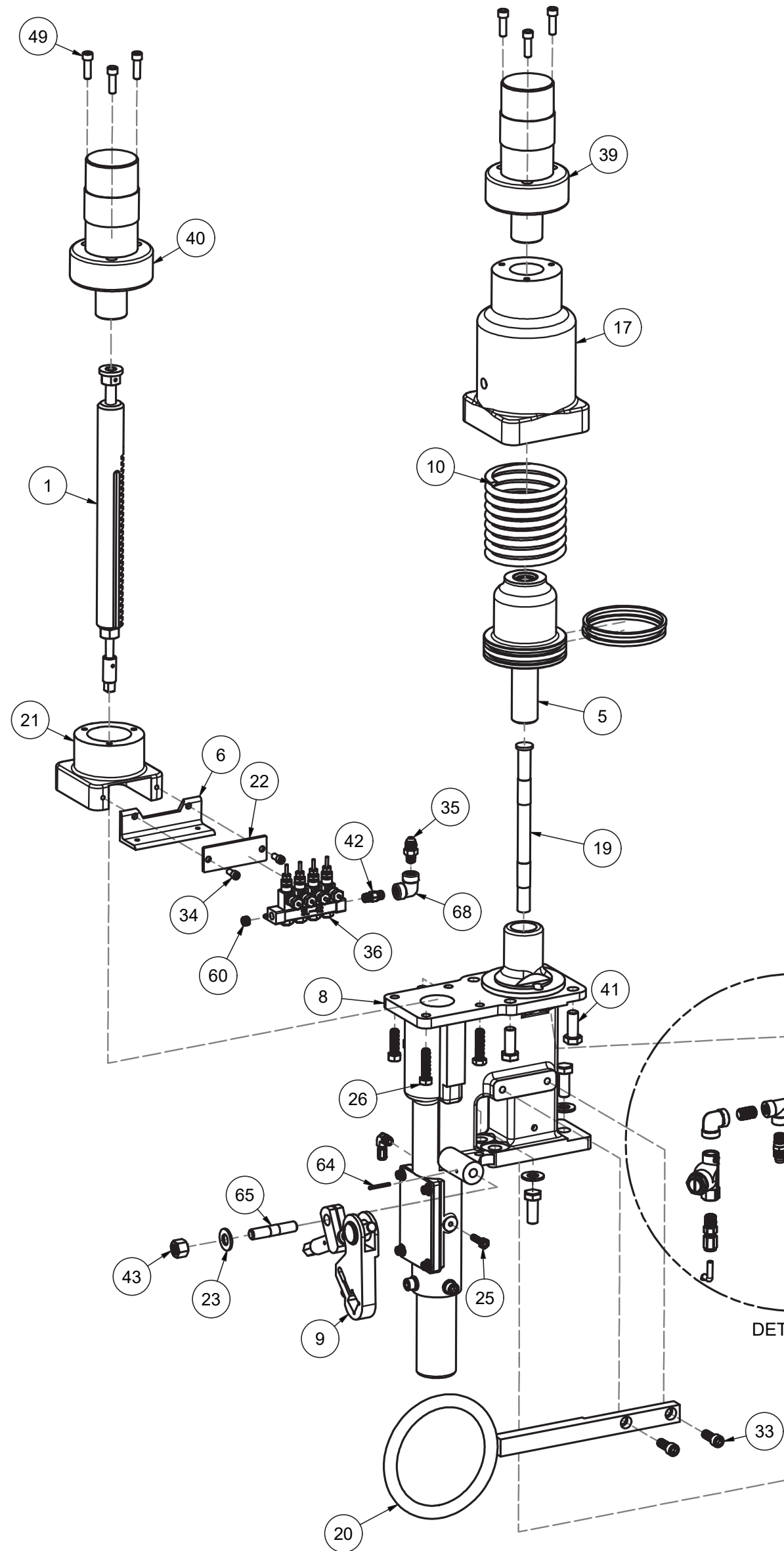


## Take out

---

Machine Type	"E", "F" y "SF"
FAMA ID	303765
SAP ID	7000003001

# Take out 303765



303645 VISTA POSTERIOR

# Take out - 303765

IND	FAMA ID	SAP ID	DESCRIPTION	QTY
1	185780	7000002165	ADJUSTING RACK	1
2	302266	7000027075	CYLINDER	1
3	302285	7000027066	SUPPORT BRACKET ASSEMBLY	1
4	302287	7000020829	TAKE OUT CYLINDER COVER	1
5	302300	7000099434	PISTON AND ROD ASSEMBLY	1
6	302908	7000003607	INJECTOR SUPPORT	1
7	302933	7000018715	ECCENTRIC BUSHING	1
8	303645	7000010562	NO SENSOR COVER ASSEMBLY	1
9	303810	7000026849	ADJUSTABLE ARM TAKE OUT MECHANISM	1
10	305261	7000018526	SPRING	1
11	307560	7000026299	RACK	1
12	307751	7000026271	PISTON AND ROD ASSY	1
13	308767	7000020362	TAKE OUT CYLINDER GIB - L.H.	1
14	308768	7000002406	TAKE OUT CYLINDER GIB - R.H.	1
15	308772	7000010519	BUSHING	1

IND	FAMA ID	SAP ID	DESCRIPTION	QTY
16	311594	7000131186	CAP	1
17	312640	7000023543	CYLINDER (KICK BACK)	1
18	312792	7000019833	RETAINER	1
19	313039	7000002803	PLUNGER TAKE OUT MECHANISM	1
20	313905	7000002391	GRAB RING	1
21	510168	7000120968	ADAPTOR	1
22	510224	7000022203	COVER	1
23	4429010	7000124195	FLATWASHER	4
24	-	9020000355	TUBE FITTING	2
25	-	9020001576	HEX HEAD CAP SCREW	1
26	-	9020001596	HEX HEAD CAP SCREW	2
27	-	9020001597	HEX HEAD CAP SCREW	2
28	-	9020001705	TEE	1
29	-	9020015252	TUBE FITTING	1
30	-	9020017747	TUBE FITTING	2

IND	FAMA ID	SAP ID	DESCRIPTION	QTY
31	-	9020019707	TUBE FITTING	2
32	-	9020026053	O-RING	1
33	-	9020026787	SOCKET HEAD CAP SCREW	2
34	-	9020026789	SOCKET HEAD CAP SCREW	2
35	-	9020028137	TUBE FITTING	1
36	-	9020041939	INJECTOR	1
37	-	9020051553	TUBE FITTING	2
38	-	9020054424	HEX HEAD CAP SCREW	3
39	-	9020055029	DECELERATOR (IN MOTION)	1
40	-	9020055030	DECELERATOR (IN MOTION)	1
41	-	9020057198	HEX HEAD CAP SCREW	11
42	-	9020060003	NIPPLE	1
43	-	9020063134	HEX HEAD CAP SCREW	1
44	-	9020063229	TUBING	1
45	-	9020063241	TUBING	1



# Take out - 303765

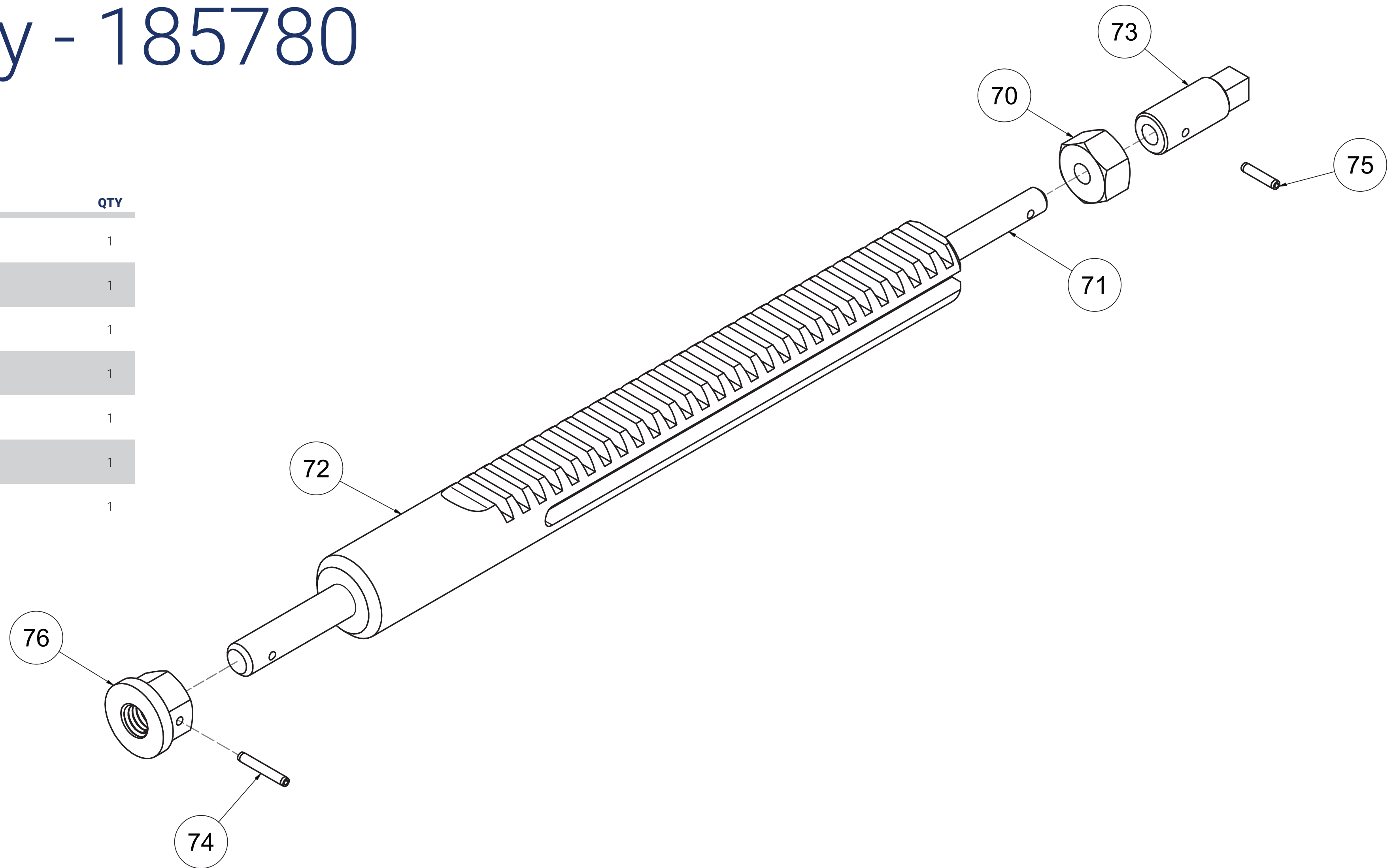
IND	FAMA ID	SAP ID	DESCRIPTION	QTY
46	-	9020063242	TUBING	1
47	-	9020063648	SOCKET HEAD CAP SCREW	1
48	-	9020063665	SOCKET HEAD CAP SCREW	6
49	-	9020063673	SOCKET HEAD CAP SCREW	6
50	-	9020063699	SOCKET HEAD CAP SCREW	1
51	-	9020063763	DOWEL PIN	2
52	-	9020063800	ROLLPIN	1
53	-	9020064632	PISTON RING	4
54	-	9020064840	HEX HEAD CAP SCREW	7
55	-	9020065221	NIPPLE	2
56	-	9020065517	O-RING	2
57	-	9020065535	O-RING	2
58	-	9020065864	TUBE FITTING	2
59	-	9020065929	FLUSH SEAL PIPE PLUG	7
60	-	9020065930	FLUSH SEAL PIPE PLUG	2

IND	FAMA ID	SAP ID	DESCRIPTION	QTY
61	-	9020065931	FLUSH SEAL PIPE PLUG	1
62	-	9020067272	VALVE	1
63	-	9020067285	VALVE	1
64	-	9020075721	ROLLPIN	1
65	-	9020079754	STUD	1
66	-	9020097535	SOCKET HEAD CAP SCREW	4
67	-	9020101140	TUBE FITTING	1
68	-	9020101195	TUBE FITTING	1
69	-	9020063242	TUBE	1

# Sub assembly - 185780

## Take out

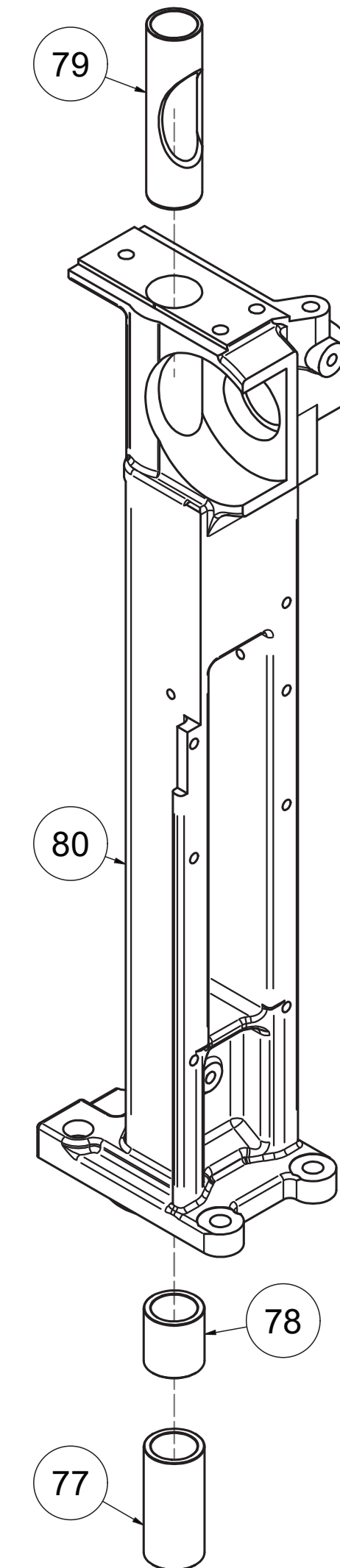
IND	FAMA ID	SAP ID	DESCRIPTION	QTY
70	185781	7000021478	SPECIAL JAM NUT	1
71	185782	7000021477	ADJUSTMENT STUD	1
72	185784	7000028334	RACK	1
73	185786	7000021476	SQUARE DRIVE	1
74	-	9020063776	ROLLPIN	1
75	-	9020063829	ROLLPIN	1
76	-	9020067299	HEX JAM NUT	1



# Sub assembly - 302285

## Take out

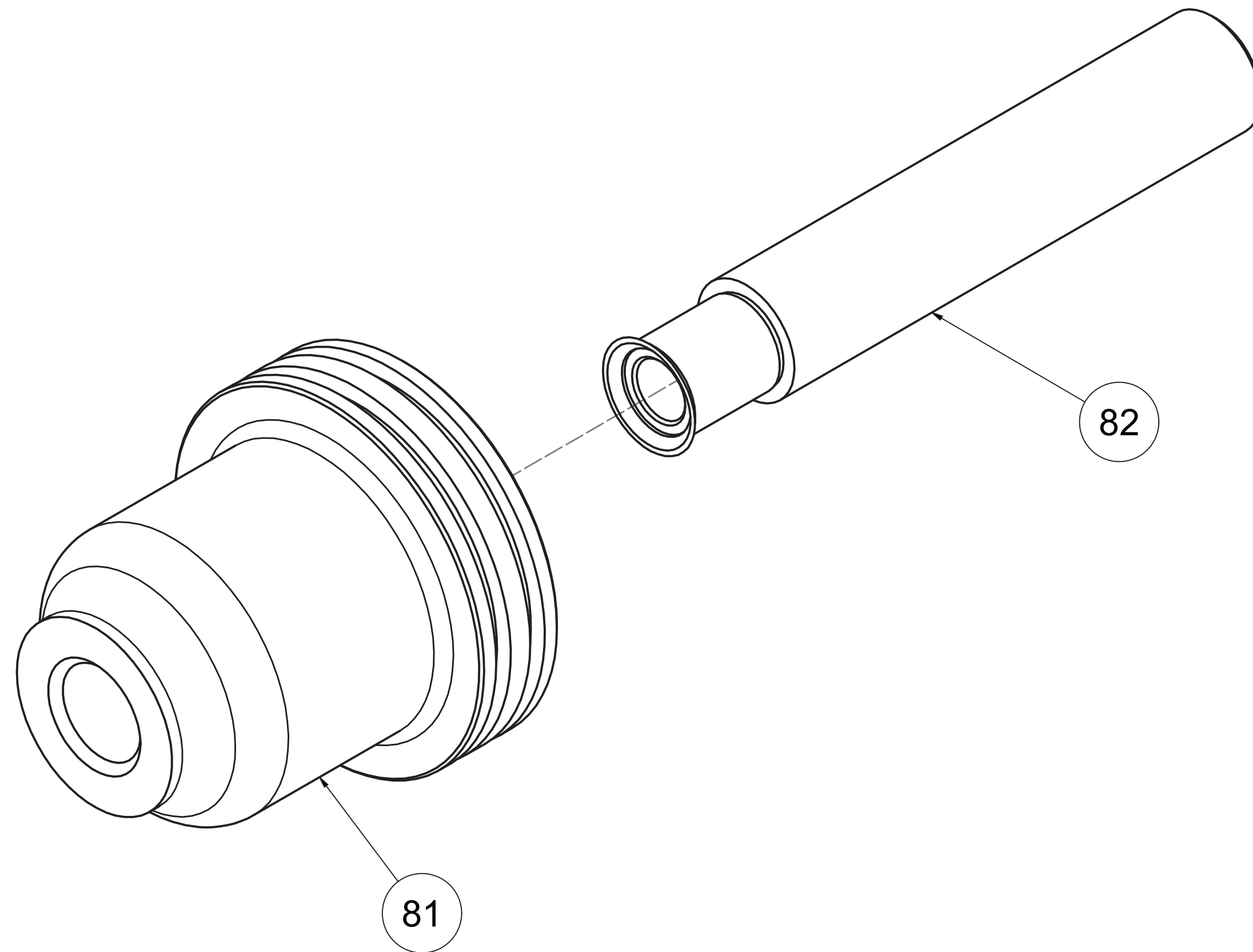
IND	FAMA ID	SAP ID	DESCRIPTION	QTY
77	305245	7000098196	TAKE OUT CYLINDER BUSHING	1
78	305246	7000098197	BUSHING	1
79	310204	7000098198	BUSHING	1
80	302286	7000027064	SUPPORT BRACKET HOUSING	1



# Sub assembly - 302300

## Take out

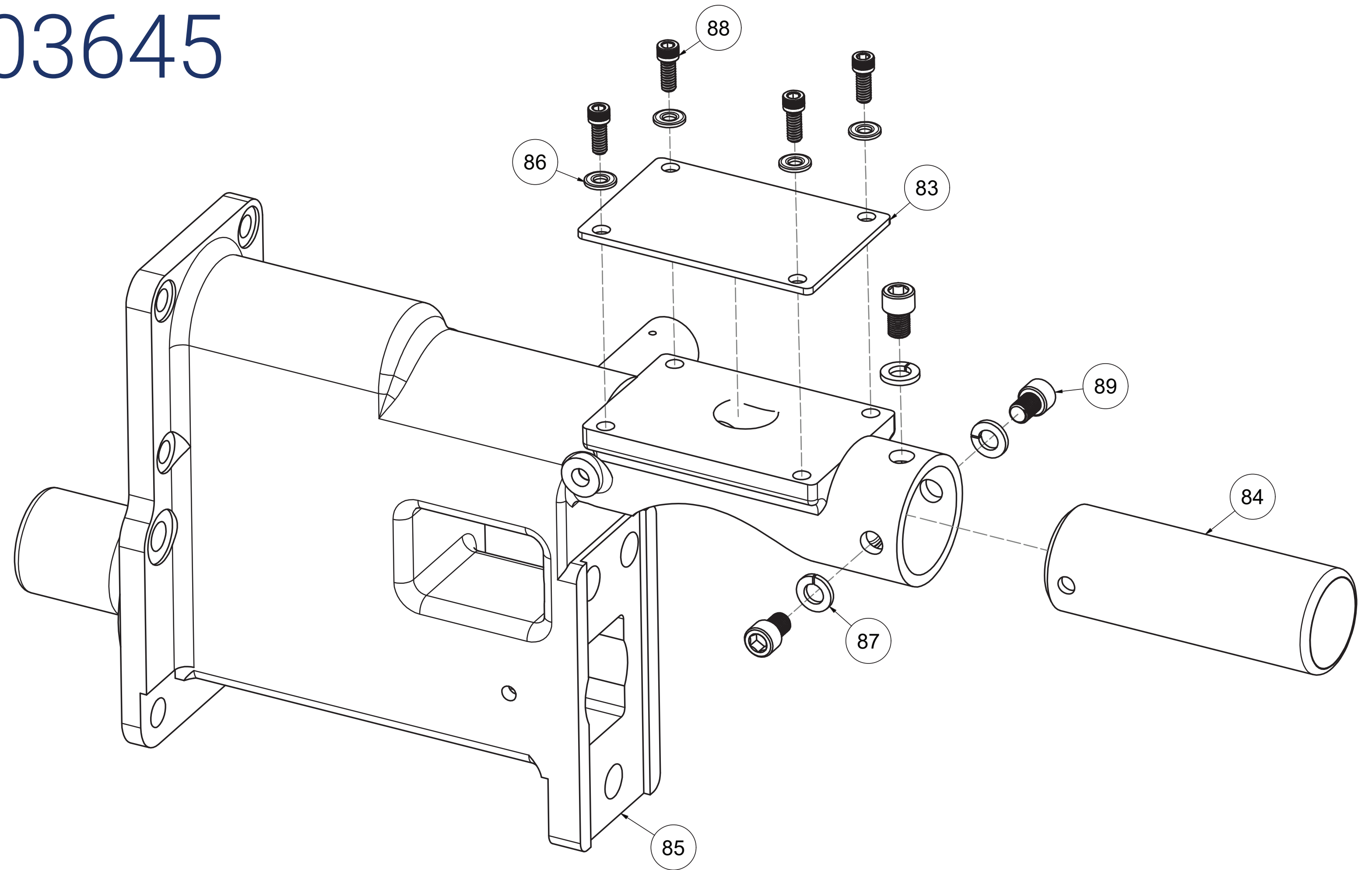
IND	FAMA ID	SAP ID	DESCRIPTION	QTY
81	302301	7000027060	PISTON (UPPER)	1
82	311611	7000061513	ROD (TAKE OUT PISTON)	1



# Sub assembly - 303645

## Take out

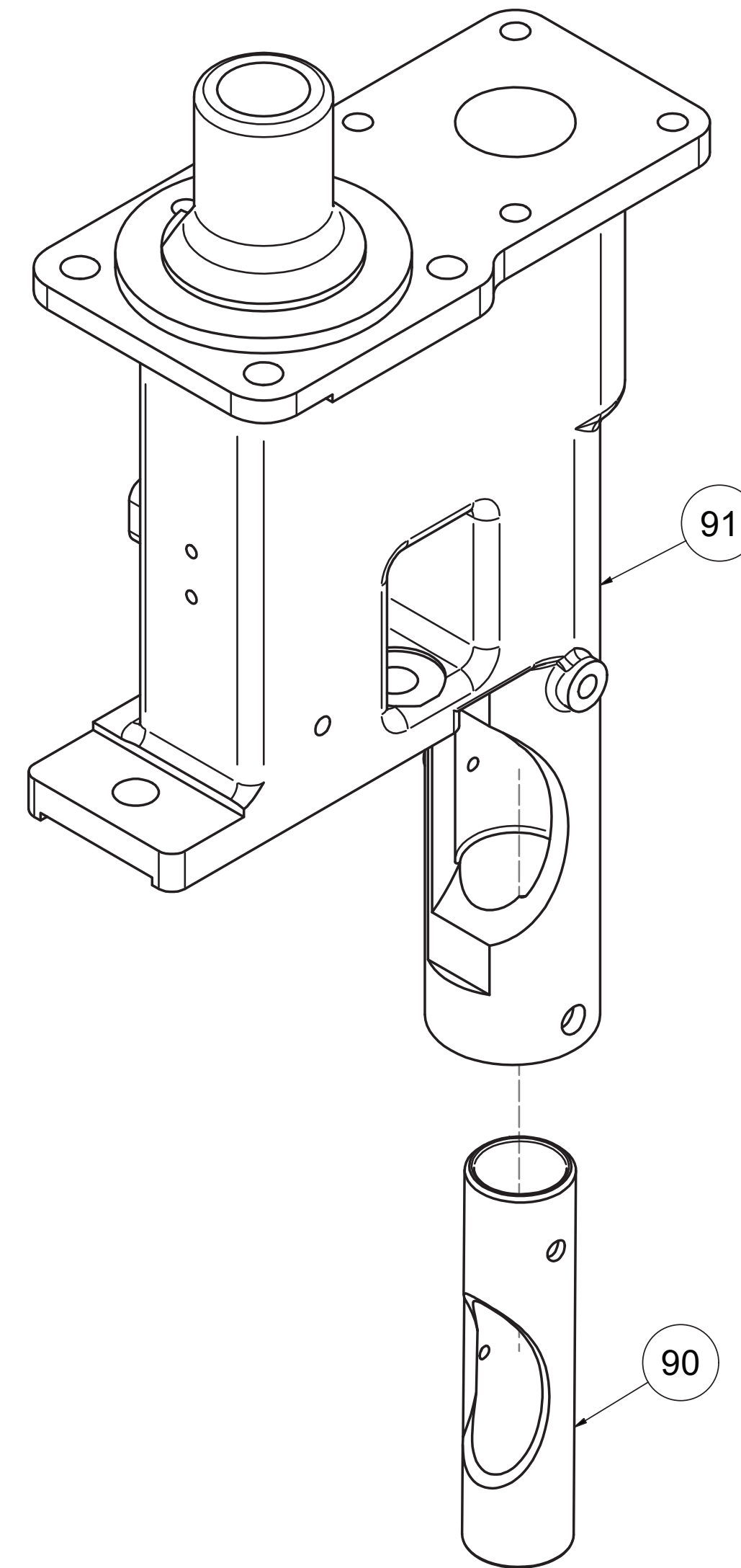
IND	FAMA ID	SAP ID	DESCRIPTION	QTY
83	303643	7000018643	SENSOR COVER	1
84	303644	7000018642	TUBE ( EXTENSION )	1
85	304439	7000010562	HOUSING ASSEMBLY	1
86	-	9020000117	SHAKEPROOF WASHER	4
87	-	9020026527	SHAKEPROOF WASHER	3
88	-	9020063688	SOCKET HEAD CAP SCREW	4
89	-	9020083487	SOCKET HEAD CAP SCREW	3



# Sub assembly - 304439

## Take out

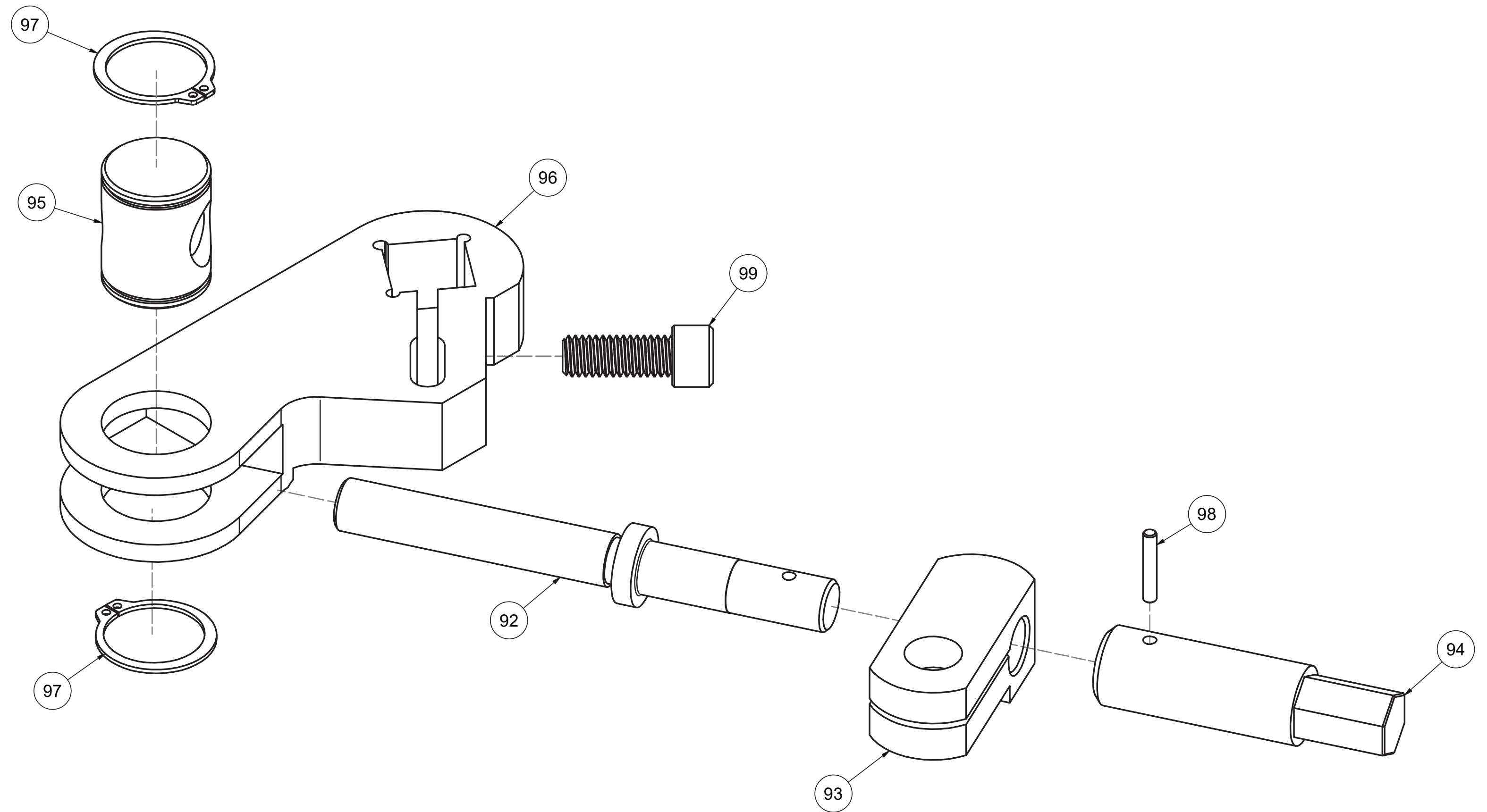
IND	FAMA ID	SAP ID	DESCRIPTION	QTY
90	305857	7000018430	BUSHING	1
91	303642	7000026867	HOUSING	1



# Sub assembly - 303810

## Take out

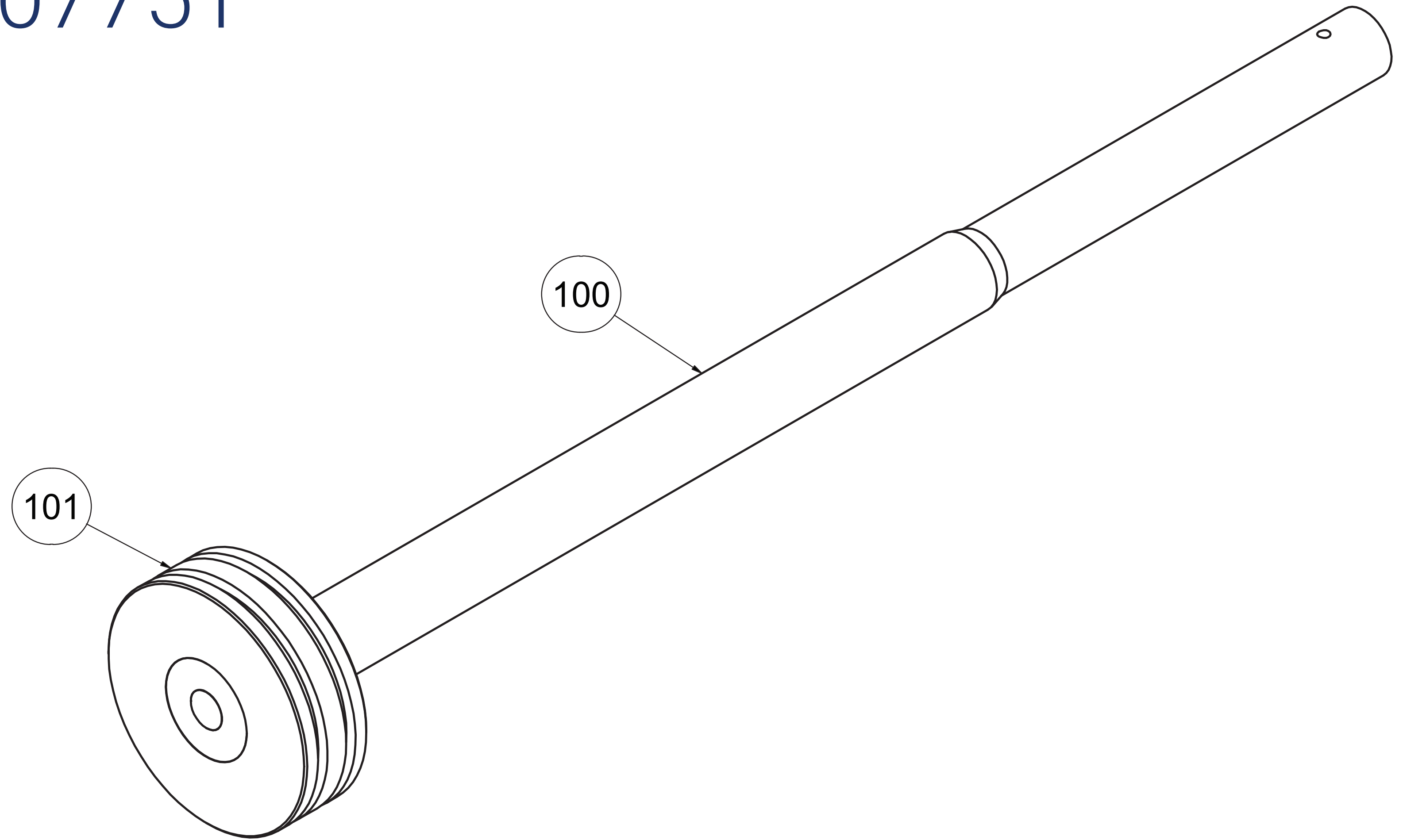
IND	FAMA ID	SAP ID	DESCRIPTION	QTY
92	303799	7000018626	ADJUSTMENT STUD	1
93	303803	7000018625	SLABON LINK	1
94	303804	7000018624	BUSHING	1
95	303806	7000061589	SHAFT PIVOT	1
96	303807	7000018623	SUPPORT	1
97	-	9020004020	RETAINER	2
98	-	9020015586	DOWELPIN	1
99	-	9020026787	SOCKET HEAD CAP SCREW	1



# Sub assembly - 307751

## Take out

IND	FAMA ID	SAP ID	DESCRIPTION	QTY
100	307756	7000026269	PISTON ROD	1
101	305237	7000026735	TAKE OUT CYL. - PISTON	1





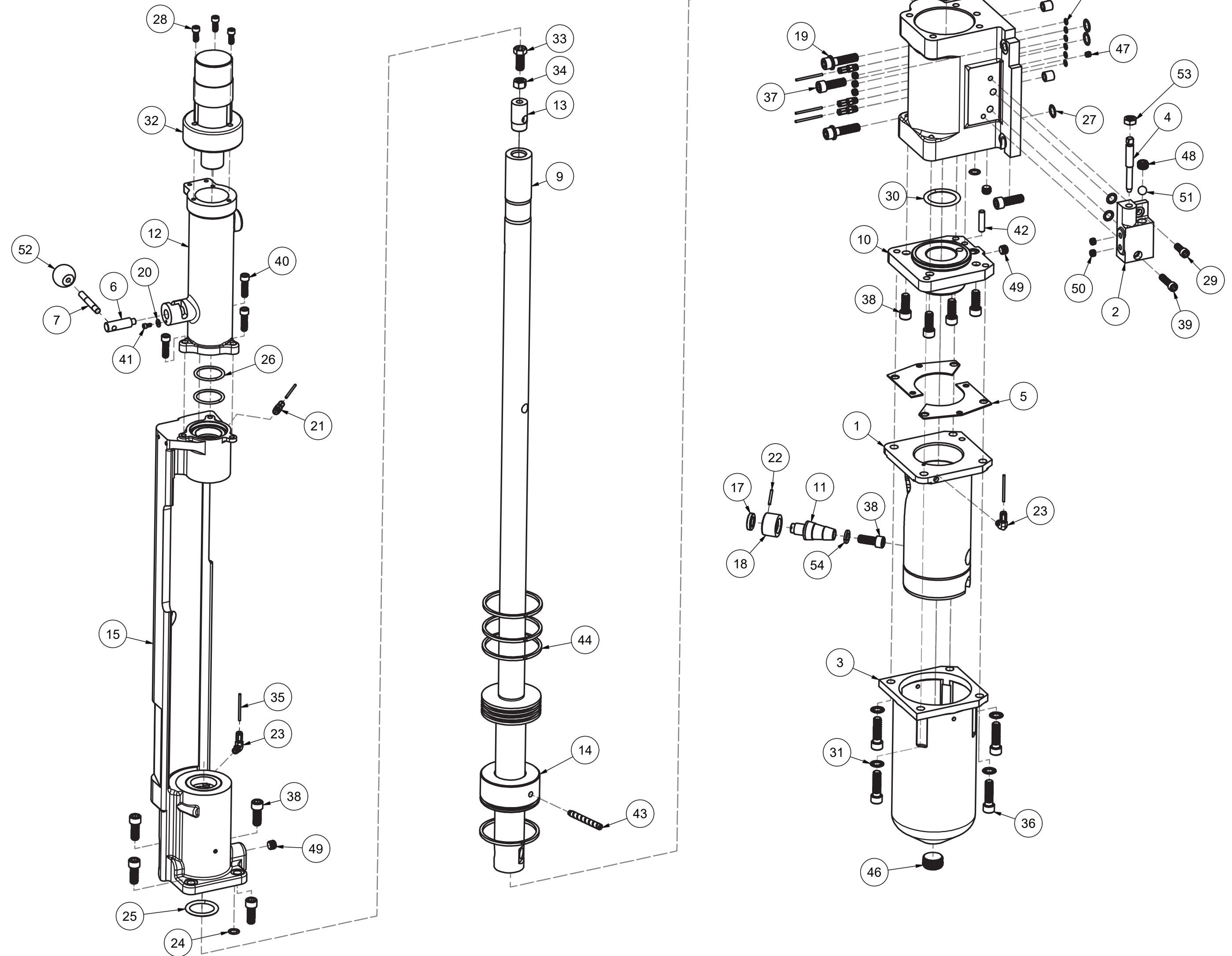


# Blowhead Short Stroke

Machine Type	"E", "F" y "SF"
FAMA ID	308680
SAP ID	7000003116

# Blowhead Short Stroke 308680

IND	FAMA ID	SAP ID	DESCRIPTION	QTY
1	305020	7000002311	BLOWHEAD MECHANISM CAM	1
2	305021	7000010558	CYLINDER DOWN CUSHION BLOCK	1
3	305023	7000026753	BLOWHEAD CAM HOUSING	1
4	305153	7000131380	CUSHION VALVE	1
5	305154	7000002977	BLOWHEAD CAM SPACER	2
6	307592	7000003188	STOP PIN	1
7	307593	7000003182	STUD	1
8	307596	7000002387	BUSHING	2
9	307732	7000003179	BLOWHEAD MECH. PISTON AND ROD	1
10	307736	7000131153	LOWER CYLINDER CAP	1
11	307737	7000003176	CAM FOLLOWER STUD	1
12	308556	7000026183	HOUSING	1
13	308668	7000131393	ADAPTOR	1
14	308672	7000003115	SPACER-PISTON	1
15	308685	7000003117	CYLINDER HEAD AND OUTBOARD BEARING SUPPORT ASSEMBLY	1



# Blowhead Short Stroke - 308680

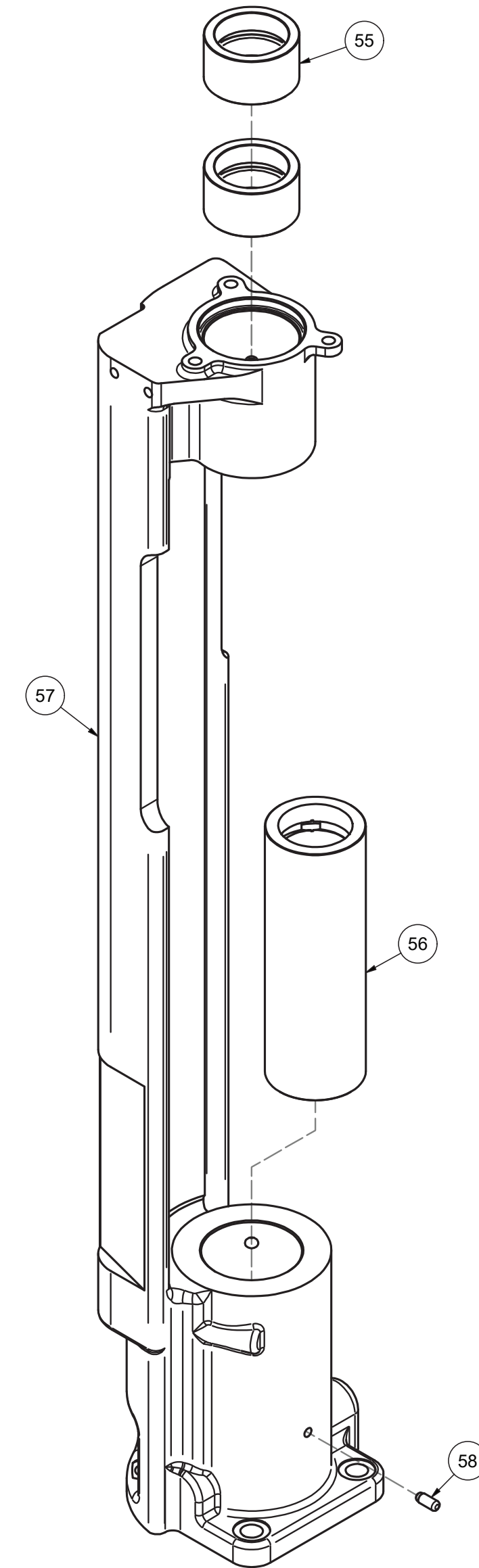
IND	FAMA ID	SAP ID	DESCRIPTION	QTY	IND	FAMA ID	SAP ID	DESCRIPTION	QTY	IND	FAMA ID	SAP ID	DESCRIPTION	QTY
16	309171	7000002413	CYLINDER BLOWHEAD MECHANISM	1	31	-	9020046517	SHAKEPROOF WASHER	4	46	-	9020065932	SOCKET PIPE PLUG	1
17	310261	7000003157	CAM FOLLOWER RETAINER	1	32	-	9020055030	DECELERATOR	1	47	-	9020065936	SOCKET HEAD CAP SCREW	2
18	310861	7000003424	CAM FOLLOWER	1	33	-	9020057198	HEX HEAD CAP SCREW	1	48	-	9020065946	SOCKET HEAD CAP SCREW	1
19	313296	7000019773	CYLINDER SCREW - LOWER	2	34	-	9020063149	HEX JAM NUT	1	49	-	9020065947	SOCKET HEAD CAP SCREW	3
20	4429005	7000125204	FLATWASHER	1	35	-	9020063241	BUNDYWELD STL. TUBE	6	50	-	9020065948	SOCKET HEAD CAP SCREW	5
21	-	9020015252	STRAIGHT MALE CONECTOR	4	36	-	9020063646	SOCKET HEAD CAP SCREW	4	51	-	9020066532	STAINLESS STEEL BALL	1
22	-	9020015584	ROLLPIN	1	37	-	9020063647	SOCKET HEAD CAP SCREW	2	52	-	9020104764	BALL KNOB	1
23	-	9020019707	90° MALE CONECTOR	2	38	-	9020063648	SOCKET HEAD CAP SCREW	9	53	-	9020133846	NF. HEX NUT	1
24	-	9020026005	O-RING	4	39	-	9020063662	SOCKET HEAD CAP SCREW	1	54	-	9020046517	STD. LOCKWASHER	1
25	-	9020026046	O-RING	1	40	-	9020063664	SOCKET HEAD CAP SCREW	3					
26	-	9020026048	O-RING	2	41	-	9020063696	SOCKET HEAD CAP SCREW	1					
27	-	9020026058	O-RING	3	42	-	9020063762	DOWELPIN	1					
28	-	9020026782	SOCKET HEAD CAP SCREW	3	43	-	9020063787	SPIRAL PIN	1					
29	-	9020026787	SOCKET HEAD CAP SCREW	1	44	-	9020064632	PISTON RING	4					
30	-	9020031315	O-RING	1	45	-	9020065515	O-RING	6					

# Sub assembly - 308685

## Blowhead

## Short Stroke

IND	FAMA ID	SAP ID	DESCRIPTION	QTY
55	305757	7000099620	BUSHING	2
56	307912	7000026247	BUSHING	1
57	308673	7000026175	CYLINDER HEAD AND OUTBOARD BEARING SUPPORT	1
58	-	9020063765	DOWEL PIN	1

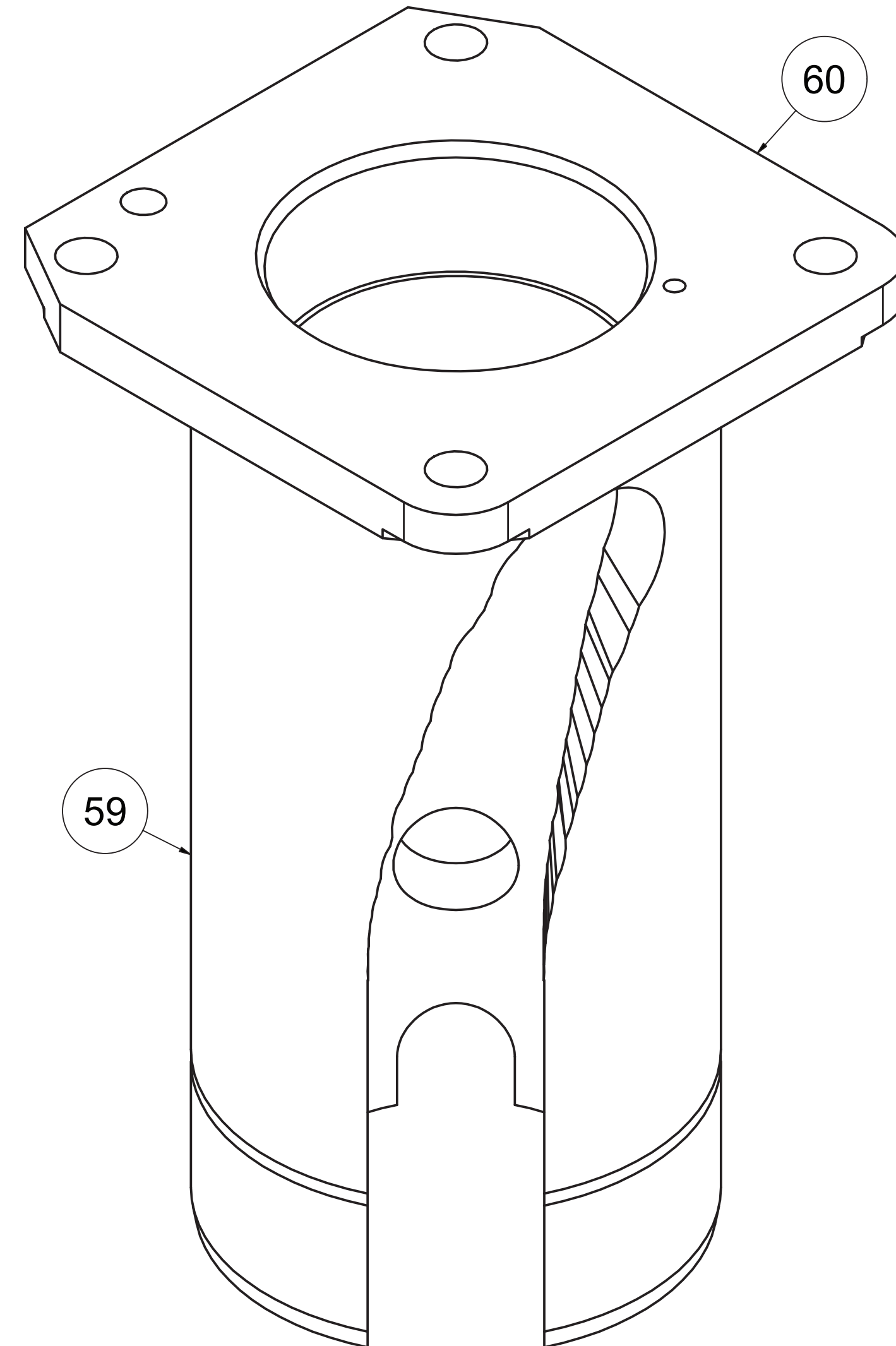


# Sub assembly - 305020

## Blowhead

## Short Stroke

IND	FAMA ID	SAP ID	DESCRIPTION	QTY
59	-	9020066108	TUBE	1
60	-	9020064380	PLATE	1

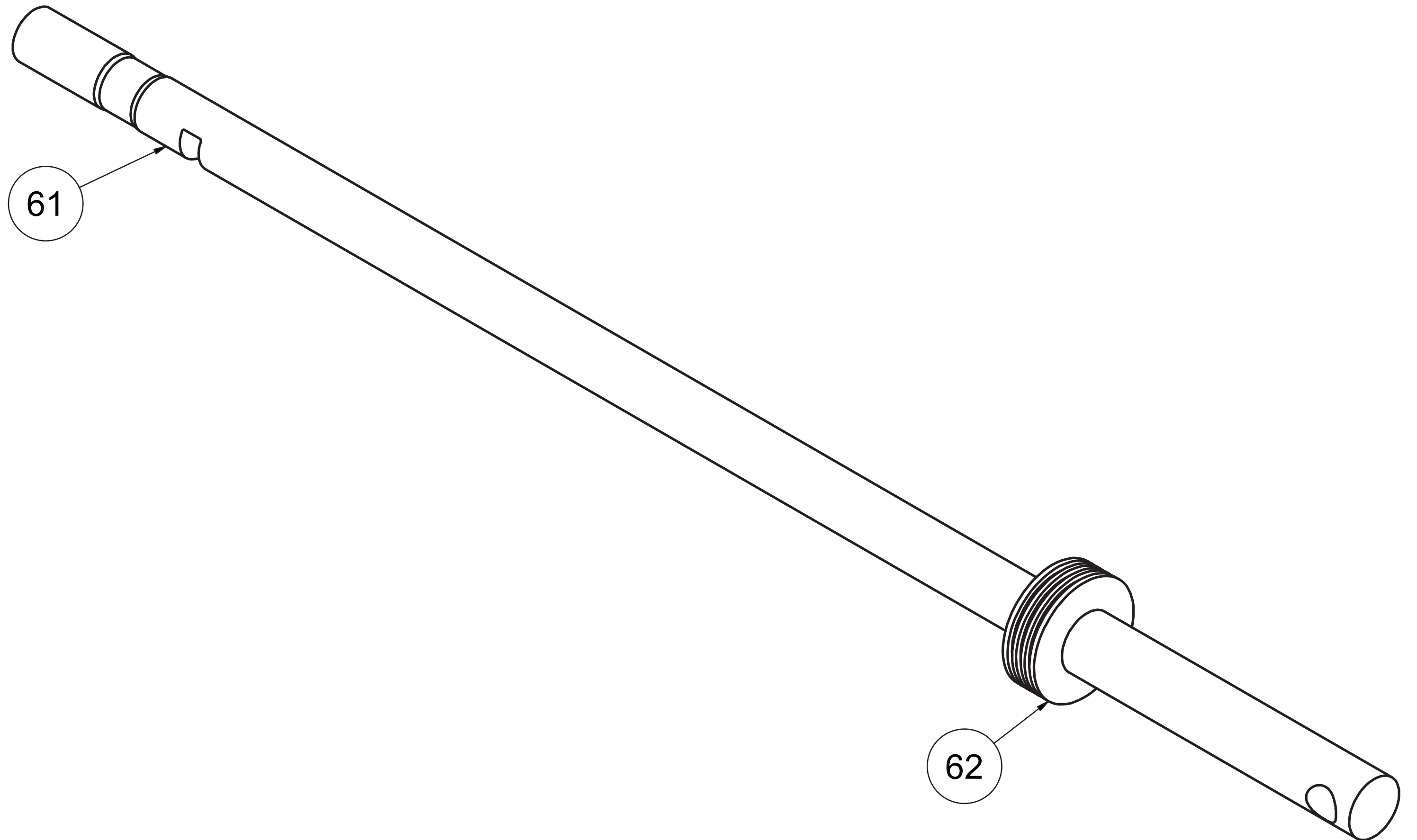


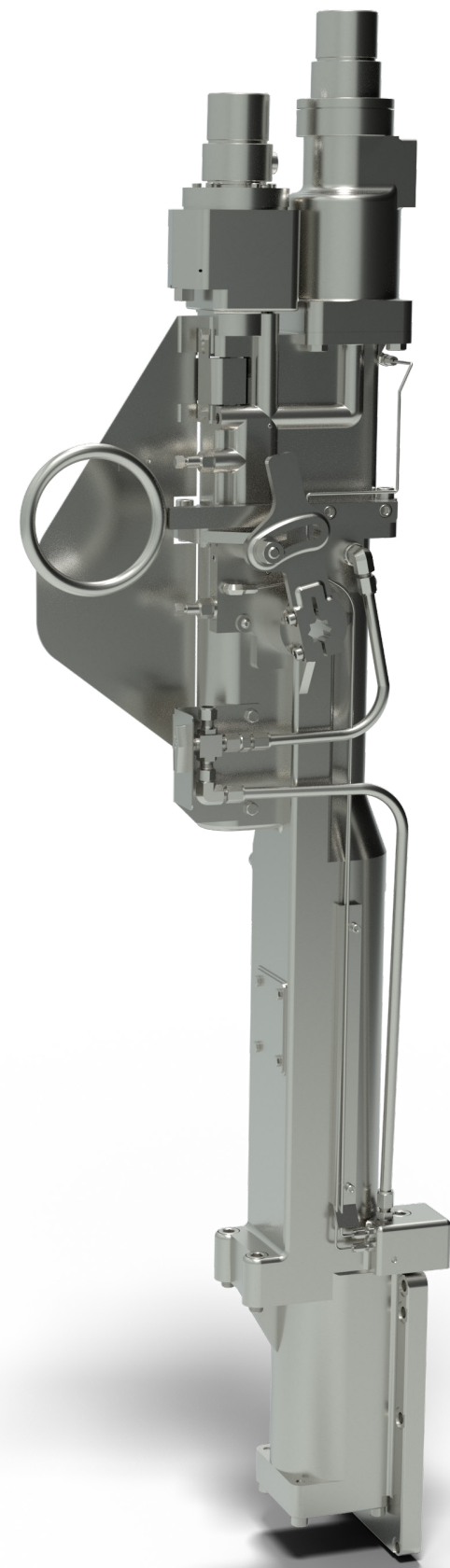
# Sub assembly - 307732

## Blowhead

## Short Stroke

IND	FAMA ID	SAP ID	DESCRIPTION	QTY
61	307733	7000026283	PISTON ROD	1
62	307734	7000026280	PISTON BLANK	1





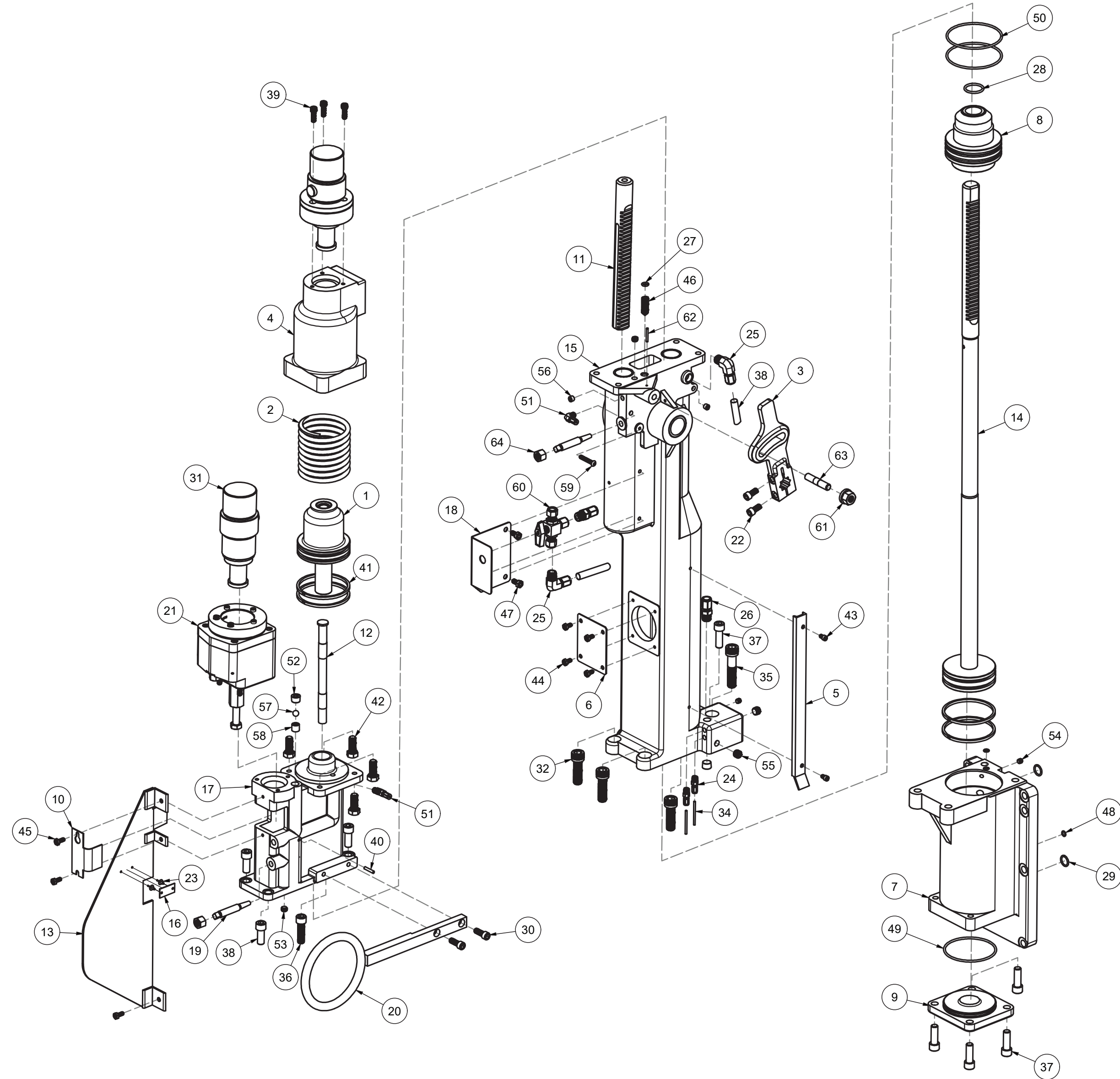
# Take out

---

Machine Type	"E", "F" y "SF"
FAMA ID	309825
SAP ID	7000003132

# Take out - 309825

IND	FAMA ID	SAP ID	DESCRIPTION	QTY
1	302300	7000099434	PISTON AND ROD ASSEMBLY	1
2	306408	7000020660	SPRING	1
3	308791	7000026169	LEVER	1
4	309826	7000023996	CYLINDER (KICKBACK)	1
5	309827	7000020240	CHANNEL - LOWER	1
6	309828	7000020239	COVER	1
7	313032	7000002425	CYLINDER TAKE OUT - LOWER	1
8	313033	7000002800	BEARING CAP ASSEMBLY	1
9	313034	7000023476	CYLINDER CAP	1
10	313036	7000002424	COVER	1
11	313037	7000023474	RACK (IN CUSHION)	1
12	313039	7000002803	PLUNGER TAKE OUT CUSHION	1
13	313041	7000019814	GUARD	1
14	313042	7000023471	PISTON ROD AND RACK ASSEM.	1
15	313049	7000023467	SUPPORT BRACKET ASSYM	1





# Take out - 309825

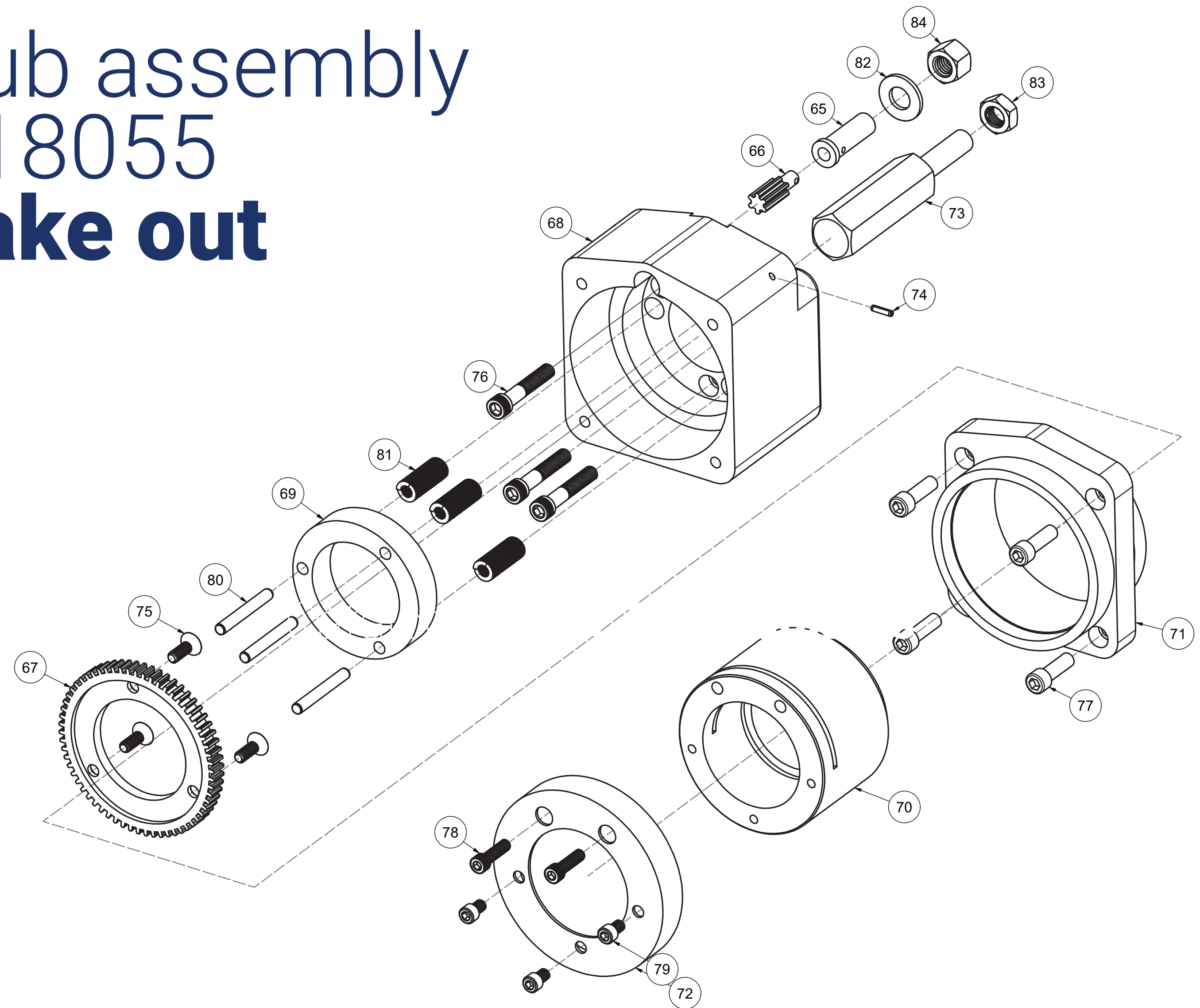
IND	FAMA ID	SAP ID	DESCRIPTION	QTY
16	313053	77000019810	IDENTIFICATION PLATE	1
17	313053	7000113652	HOUSING	1
18	313054	7000019809	BRACKET	1
19	313056	7000019784	NEEDLE SCREW	2
20	313232	7000002391	GRAB RING	1
21	313905	7000025936	ADJUSTER ASSEMBLY	1
22	318055	9020001686	SOCKET HEAD CAP SCREW	2
23	-	9020013739	POP RIVET	2
24	-	9020015252	TUBE FITTING	2
25	-	9020019706	TUBE FITTING	2
26	-	9020019708	TUBE FITTING	2
27	-	9020026005	O-RING	1
28	-	9020026053	O-RING	1
29	-	9020026058	O-RING	2
30	-	9020026787	SOCKET HEAD CAP SCREW	2

IND	FAMA ID	SAP ID	DESCRIPTION	QTY
31	-	9020055029	DECELERATOR (IN MOTION)	1
32	-	9020056900	SOCKET HEAD CAP SCREW	1
33	-	9020063232	TUBE	1
34	-	9020063241	TUBE	6
35	-	9020063633	SOCKET HEAD CAP SCREW	4
36	-	9020063646	SOCKET HEAD CAP SCREW	2
37	-	9020063647	SOCKET HEAD CAP SCREW	9
38	-	9020063648	SOCKET HEAD CAP SCREW	1
39	-	9020063674	SOCKET HEAD CAP SCREW	3
40	-	9020063732	DOWELPIN	1
41	-	9020064632	PISTON RING	1
42	-	9020064828	HEX HEAD CAP SCREW	3
43	-	9020064855	HEX HEAD CAP SCREW	6
44	-	9020064856	HEX HEAD CAP SCREW	1
45	-	9020064872	HEX HEAD CAP SCREW	2

IND	FAMA ID	SAP ID	DESCRIPTION	QTY
46	-	9020064917	ADJUSTER STUD	1
47	-	9020064980	HEX HEAD CAP SCREW	2
48	-	9020065515	O-RING	2
49	-	9020065582	O-RING	1
50	-	9020065594	O-RING	2
51	-	9020065864	TUBE FITTING	2
52	-	9020065928	FLUSH SEAL PIPE PLUG	2
53	-	9020065930	FLUSH SEAL PIPE PLUG	2
54	-	9020065931	FLUSH SEAL PIPE PLUG	2
55	-	9020065947	SOC PIPE PLUG	2
56	-	9020065948	SOC PIPE PLUG	2
57	-	9020066400	BALL (STAINLESS STEEL)	1
58	-	9020066401	SEAT	1
59	-	9020066577	ROUND HEAD MACH SCREW	1
60	-	9020067282	VALVE	1
61	--	9020067299	FLANGE NUT	1
62	-	9020075721	ROLLPIN	1
63	-	9020079754	STUD	1
64	-	9020133846	HEX JAM NUT	2

IND	FAMA ID	SAP ID	DESCRIPTION	QTY
65	305876	7000018429	ADAPTER	1
66	313118	7000096123	PINION GEAR (6T)	1
67	313123	7000019797	GEAR (62T)	1
68	313125	7000023452	HOUSING	1
69	318051	7000019342	SPACER	1
70	318052	7000019341	HUB	1
71	318053	7000025937	CAP	1
72	318054	7000019340	COVER	1
73	318056	7000019339	STOP BOLT	1
74	-	9020026716	ROLL PIN	1
75	-	9020063595	SOCKET HEAD CAP SCREW	3
76	-	9020063671	SOCKET HEAD CAP SCREW	3
77	-	9020063673	SOCKET HEAD CAP SCREW	4
78	-	9020063687	SOCKET HEAD CAP SCREW	2
79	-	9020063689	SOCKET HEAD CAP SCREW	3
80	-	9020063781	ROLL PIN	3
81	-	9020064578	SPRING	3
82	-	9020065696	FLATWASHER	1
83	-	9020129591	HEX JAM NUT	1
84	-	9020133846	HEX JAM NUT	1

# Sub assembly 318055 Take out

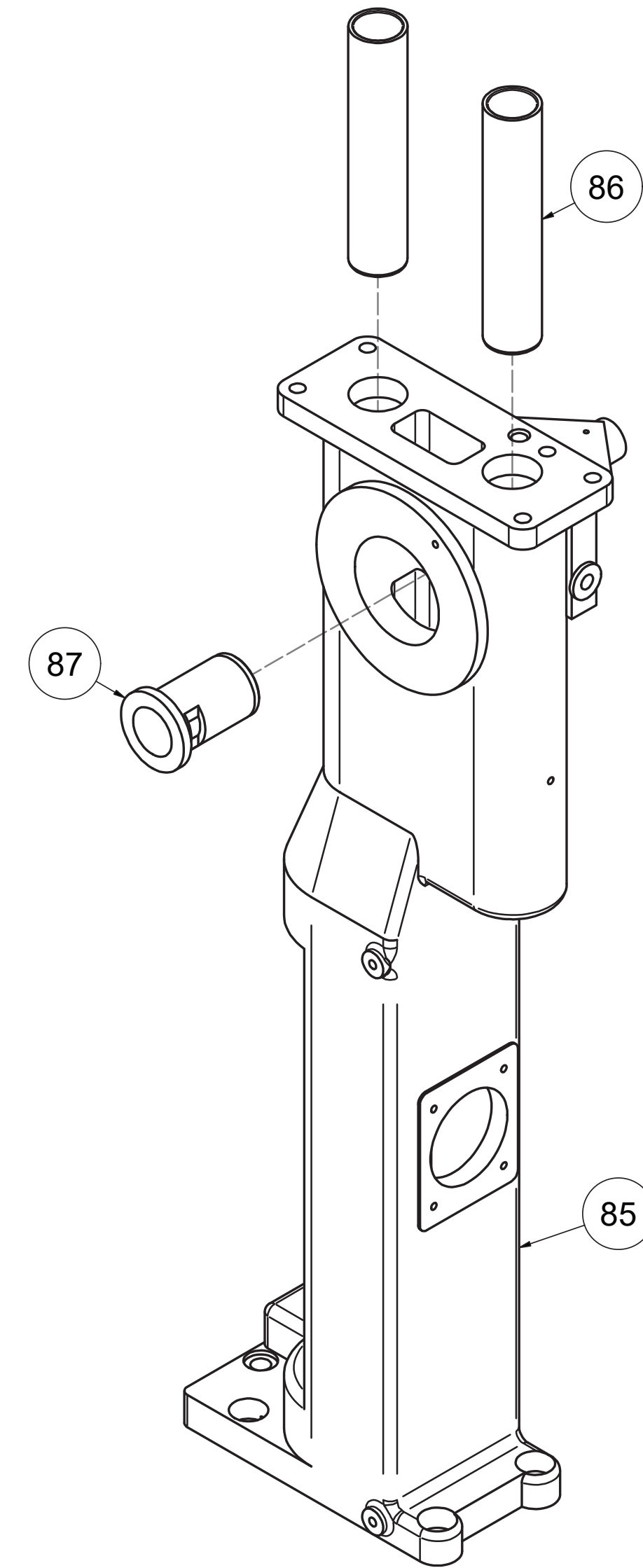




# Sub assembly - 313049

## Take out

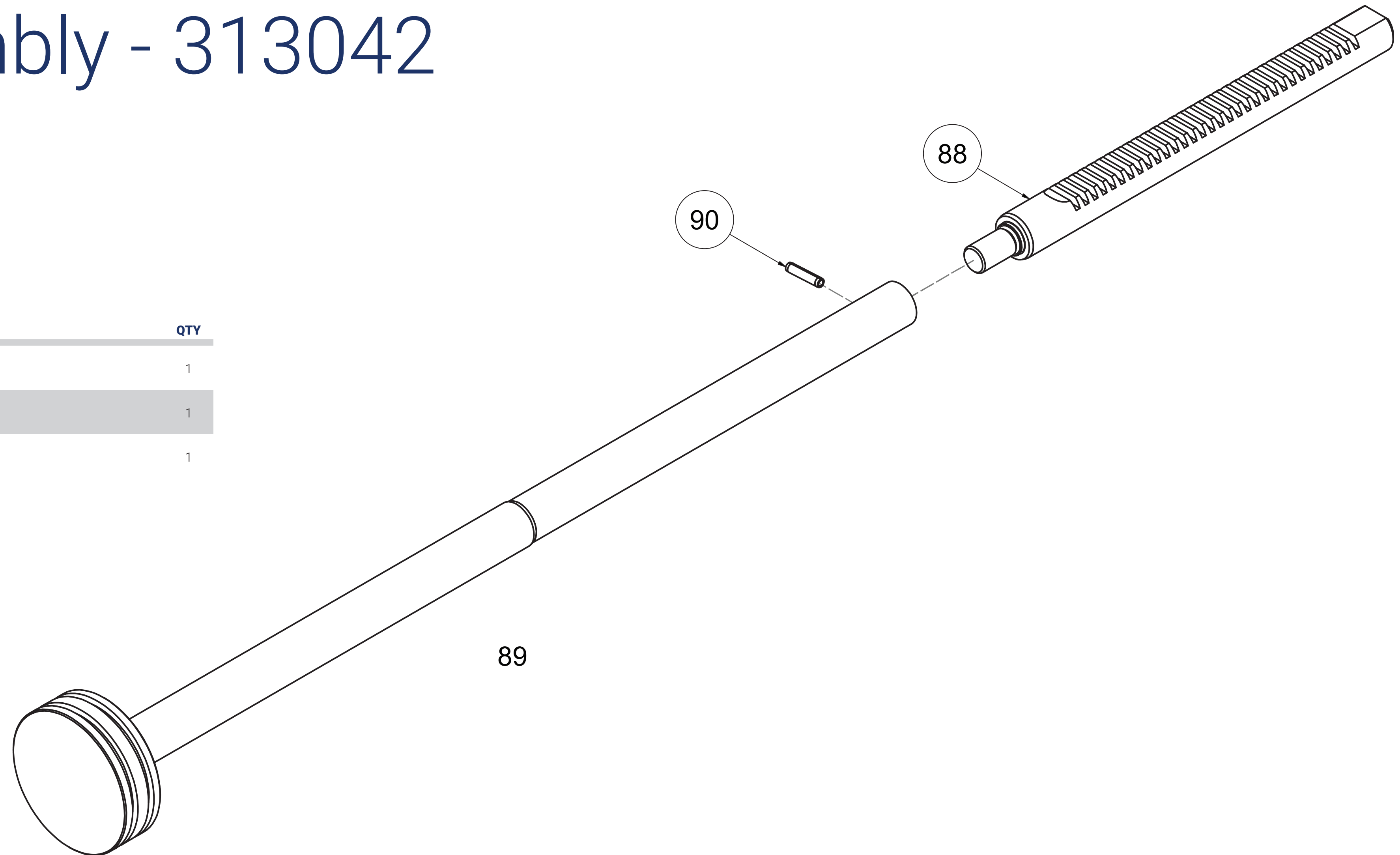
IND	FAMA ID	SAP ID	DESCRIPTION	QTY
85	313066	7000023461	SUPPORT BRACKET	1
86	313063	7000023462	BUSHING	2
87	313194	7000019785	BUSHING	1



# Sub assembly - 313042

## Take out

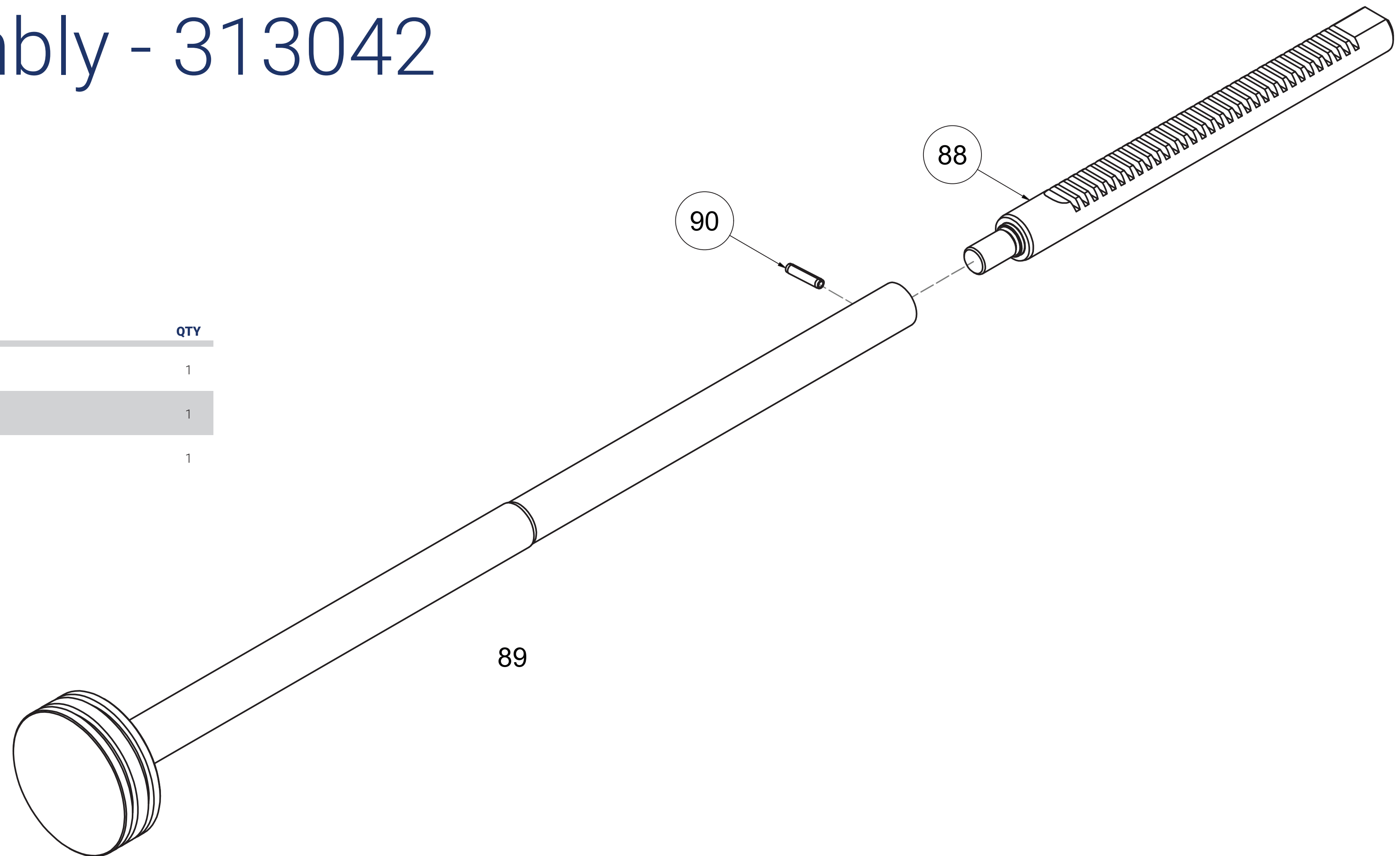
IND	FAMA ID	SAP ID	DESCRIPTION	QTY
88	313109	7000002419	TAKE OUT RACK	1
89	313191	7000023436	PISTON AND ROD	1
90	-	9020063800	ROLLPIN	1



# Sub assembly - 313042

## Take out

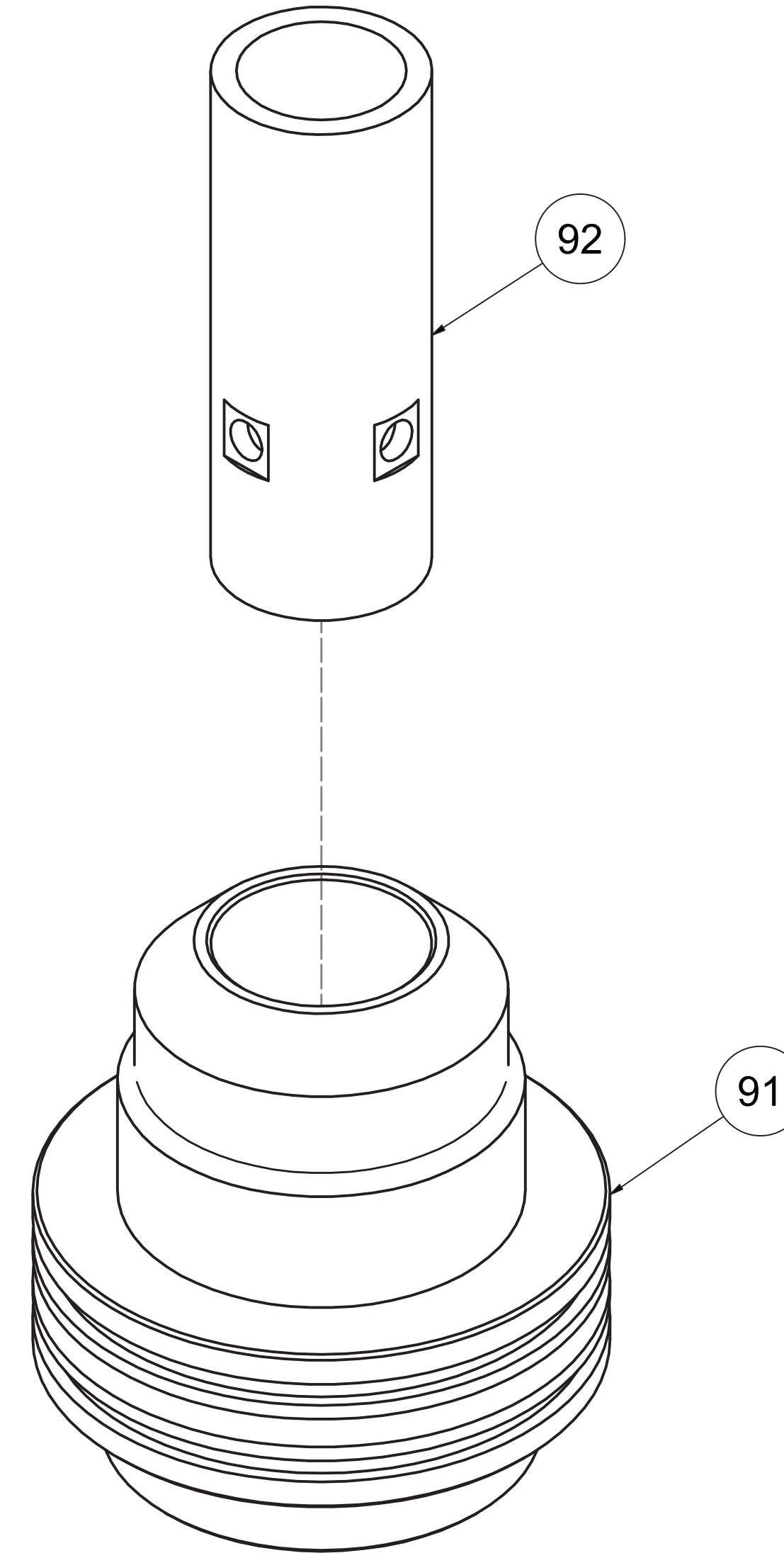
IND	FAMA ID	SAP ID	DESCRIPTION	QTY
88	313109	7000002419	TAKE OUT RACK	1
89	313191	7000023436	PISTON AND ROD	1
90	-	9020063800	ROLLPIN	1



# Sub assembly - 313033

## Take out

IND	FAMA ID	SAP ID	DESCRIPTION	QTY
91	313107	7000023457	HOUSING	1
92	313108	7000023456	BUSHING	1





# Anti-deflection Bracket Blow M.

Machine Type

"F" y "SF"

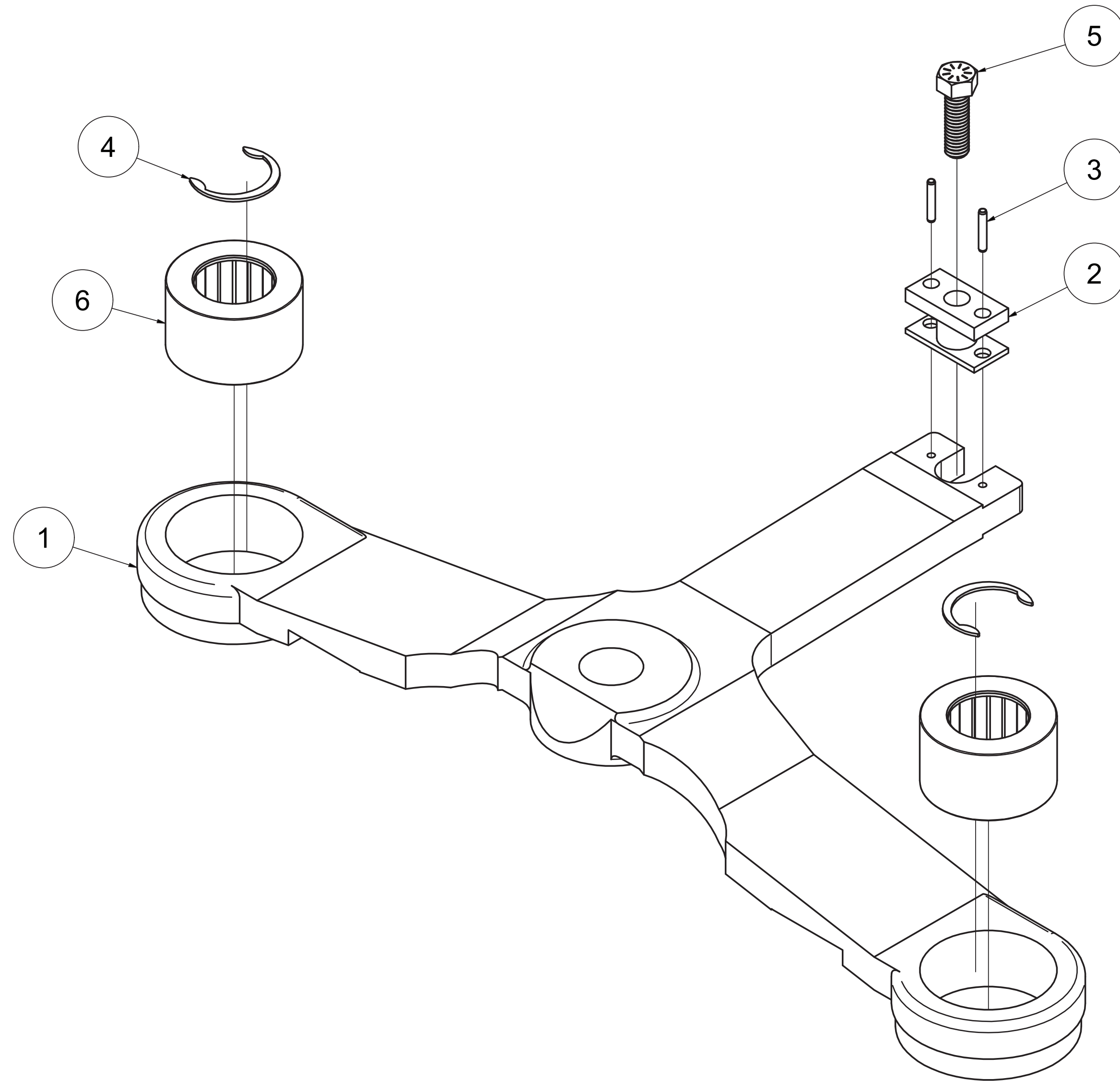
FAMA ID

310580

SAP ID



# Anti-deflection Bracket Blow M.



IND	FAMA ID	SAP ID	DESCRIPTION	QTY
1	310578	7000023837	ANTI-DEFLECTION BRACKET	1
2	310579	7000020103	RETAINER	1
3	-	9020015586	ROLL PIN	2
4	-	9020025993	RETAINER RING	2
5	-	9020064982	HEX. HD SCREW	1
6	-	9020066531	BEARING	2

# Anti-deflection Bracket Blank M.



Machine Type

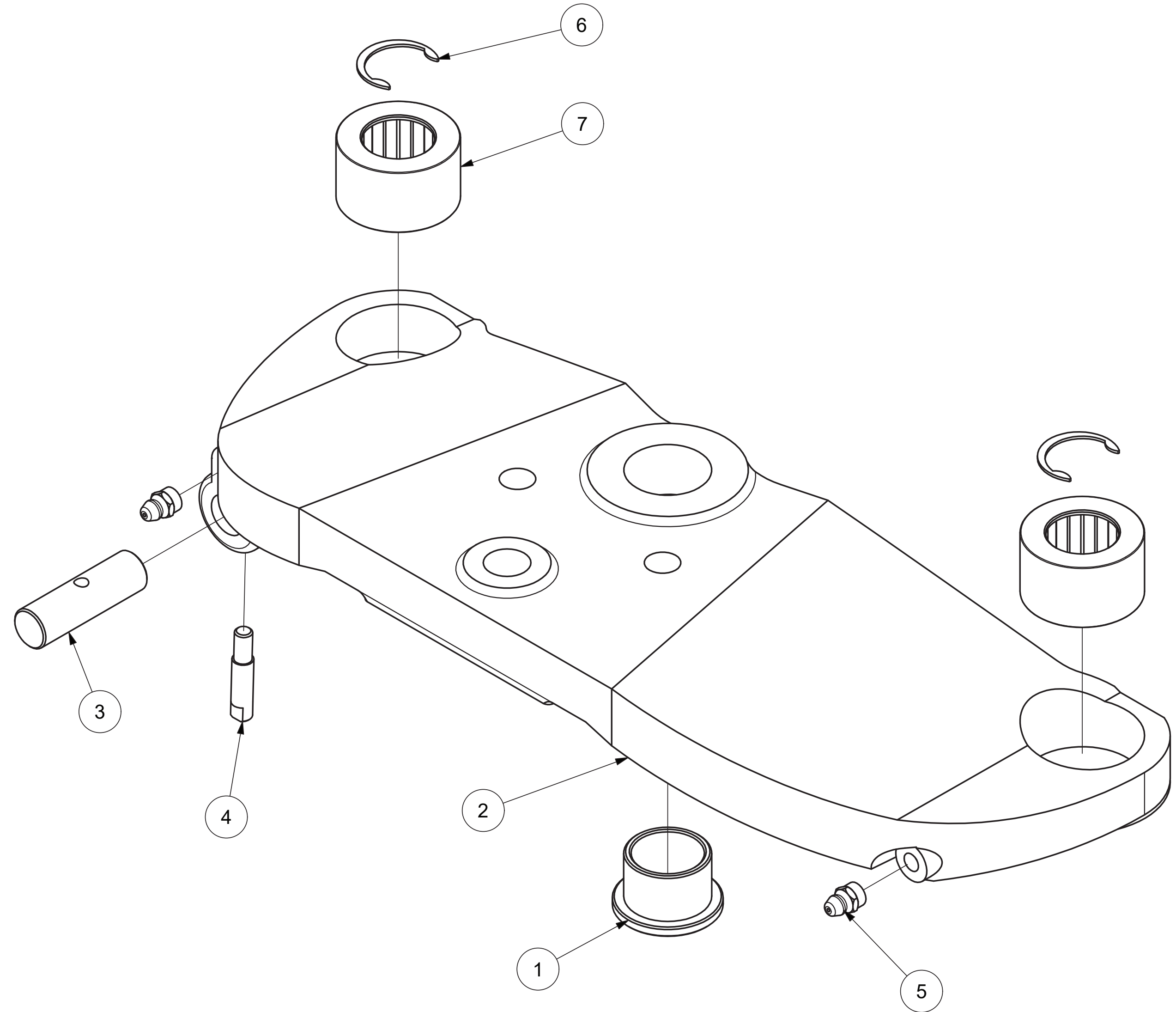
"F" y "SF"

FAMA ID

304325

SAP ID

# Anti-deflection Bracket Blank M.



IND	FAMA ID	SAP ID	DESCRIPTION	QTY
1	304301	7000018591	BUSHING	1
2	304302	7000003579	ANTI-DEFLECTION BRACKET	1
3	310224	7000061533	LATCH	1
4	310226	7000002437	LATCH HANDLE	1
5	-	9020004670	GREASE FITTING	2
6	-	9020025993	RETAINER RING	2
7	-	9020066531	ROLLER BEARING	2